

Bus Station

Spectrum

HO SCALE

cityscenes™

ASSEMBLY INSTRUCTIONS



Item #88005

roof and sidewalk detailing accessories

Your kit is complete with Roof and Sidewalk Detailing Accessories. Some, such as Roof Vents Parts (11) and Fire Hydrants Parts (8), do not require assembly. Others require assembly as shown.

After assembly, position the accessories on or around your building as required.
Suggested locations:

BUILDING ROOF TOP

Roof Vents
Rotary Exhaust Vents

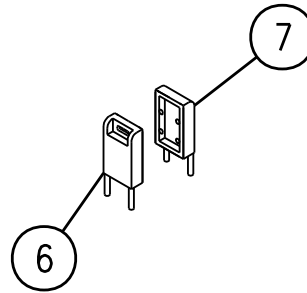
SIDEWALK

Mail/Express Boxes
Fire Hydrants

NOTE: Dry Fit each part before assembly. Glue should be applied sparingly to the assembly tabs.
For added detail, parts can be individually painted before assembly.

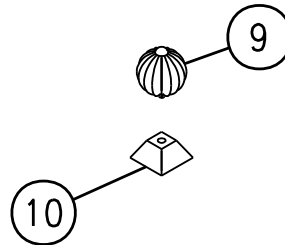
MAILBOXES

1. Assemble Mailbox Halves (6) and (7).



ROTARY EXHAUST VENTS

1. Assemble Roof Vent (9) to Base (10).



AFTER YOU COMPLETE THIS ASSEMBLY STEP, YOU WILL HAVE SOME PARTS LEFT OVER. THESE PARTS ARE NOT NEEDED. YOU MAY USE PARTS FOR SCRATCH BUILDING PROJECTS.

READ PRIOR TO ASSEMBLY

TO ENHANCE THE AESTHETIC AND REALISTIC QUALITIES OF THIS BUILDING, PARTS HAVE BEEN DESIGNED AND MANUFACTURED IN SCALE PROPORTIONS. AS A RESULT, SOME PARTS ARE FRAGILE AND REQUIRE CARE IN ASSEMBLY. THEREFORE... EASY DOES IT. AS WITH ANY MODEL BUILDER KIT, A DEGREE OF PATIENCE IS REQUIRED TO ACHIEVE THE BEST RESULTS.

ASSEMBLY HINTS

- Read through these instructions and examine the parts supplied to familiarize yourself with all aspects of the building prior to assembly.
- Remove the parts as needed, not at random.
- To remove the parts from the sprues, cut, not break, each part.
- However, when removing Clear Parts from the sprue, bend the Clear Part back and forth. The bending action will safely remove part from sprue.
- If you choose to paint any parts, we suggest you do so prior to assembly.
- To ensure a nice, tight fit, carefully remove all excess sprue marks with a modeling knife or hobby file. This is a necessity or parts will not fit properly.
- Follow the sequence guide to ensure correct placement of the parts.
- VERY IMPORTANT - Before gluing, dry fit the parts.
- Use glue sparingly, especially when assembling Window Frames and Clear Parts. These parts have been designed to tight tolerances, in many cases enabling you to trap the Window Frames between the Wall and the Clear Part, and therefore require only "tack" gluing.
- All Window Clear Parts are marked "**THIS SIDE UP.**" For proper assembly, be sure "**THIS SIDE UP**" is facing you and legible when assembling. This will properly orient the part to slide easily onto locator tabs.
- Prior to assembling a Window Clear Part, be sure you have matched "Open" and "Closed" Window Frames with "Open" and "Closed" (solid) Clear Parts (if applicable to your model). The Clear Parts, once mounted on the mounting tab, are difficult to remove from the tab. If the Clear Part must be removed, gently pry the Clear Part upward until loose. When mounting Window Frames, be careful that they are positioned correctly, according to the instructions of your specific model.
- Prior to assembly, brick areas can be enhanced by adding mortar (if applicable for your model). We use Robert's Brick Mortar Formula. It's easy to apply and looks great. For product information, contact Robert's Products Co., P.O. Box 270057, Milwaukee, WI 53227.
- Use the full-color box lid as a helpful guide during assembly.
- Now it's time to break ground for the construction of your Cityscenes™ building. Take your time and have fun!

RECOMMENDED TOOLS

Modeling Knife - For removing parts from sprue and trimming.

Hobby File - For removing sprue marks.

Glue - Preferably a liquid, easy-to-brush adhesive. Use it sparingly.

3/8 - 1/2" Brush - Helpful in spreading glue on larger areas.

Tweezers - For assembling smaller parts.

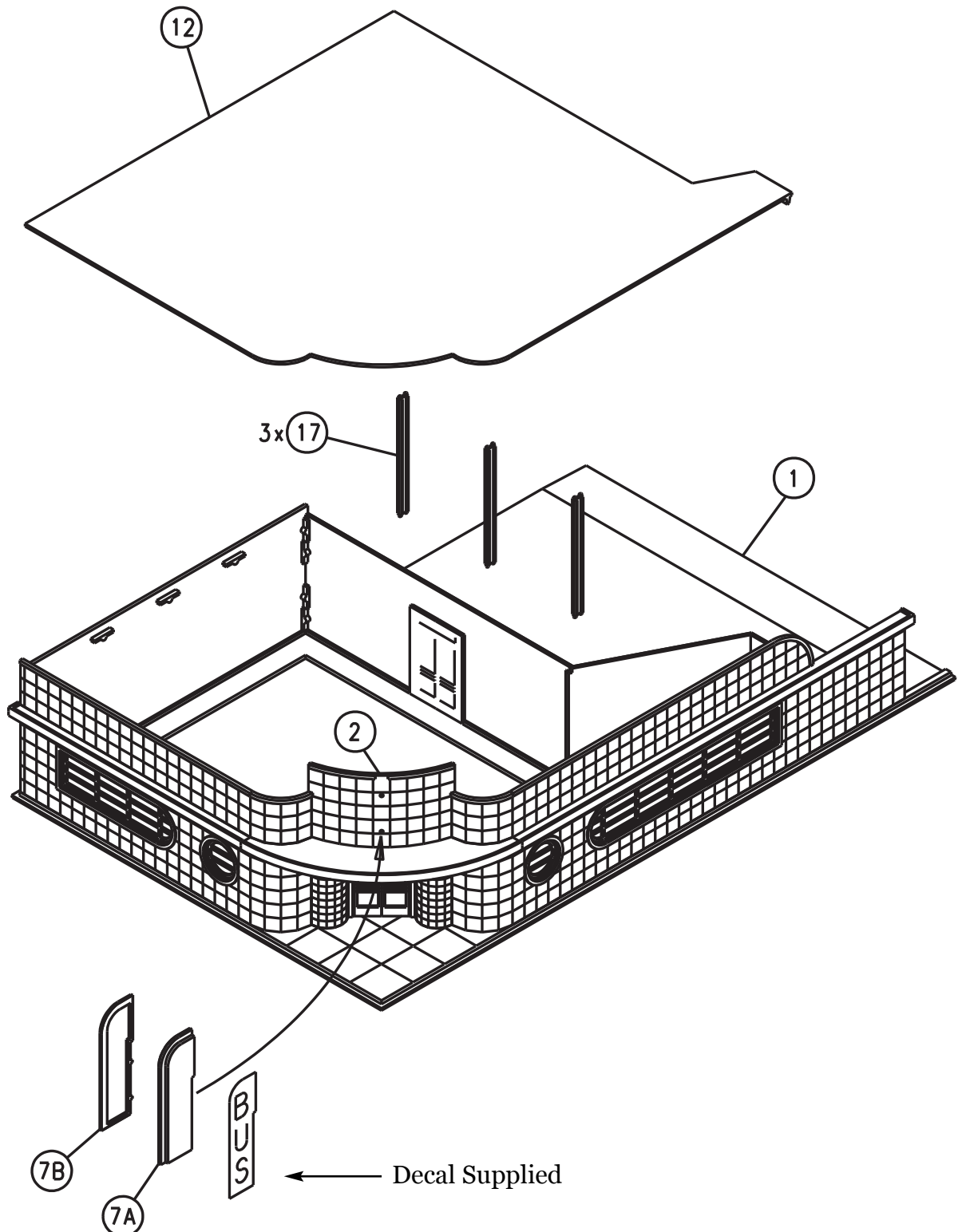
Sandpaper or Emery Board - For removing flash.

roof assembly and sign

To assemble the Roof, apply glue sparingly to the locator tabs on Wall.

ASSEMBLE THE PARTS AND SUB-ASSEMBLIES IN SEQUENCE:

1. Three Roof Support Beams (17) into locator holes on Base (1).
2. Main Roof (12) to Roof Support tabs. Seated properly, the roof rests on the Roof Support tabs on all Walls. Be sure to align the three Roof Support Beams' (17) locator tabs with the locator holes on the underside of the Roof.
3. Assemble Sign halves (7A) and (7B). Assemble Sign to overhang Wall (2).

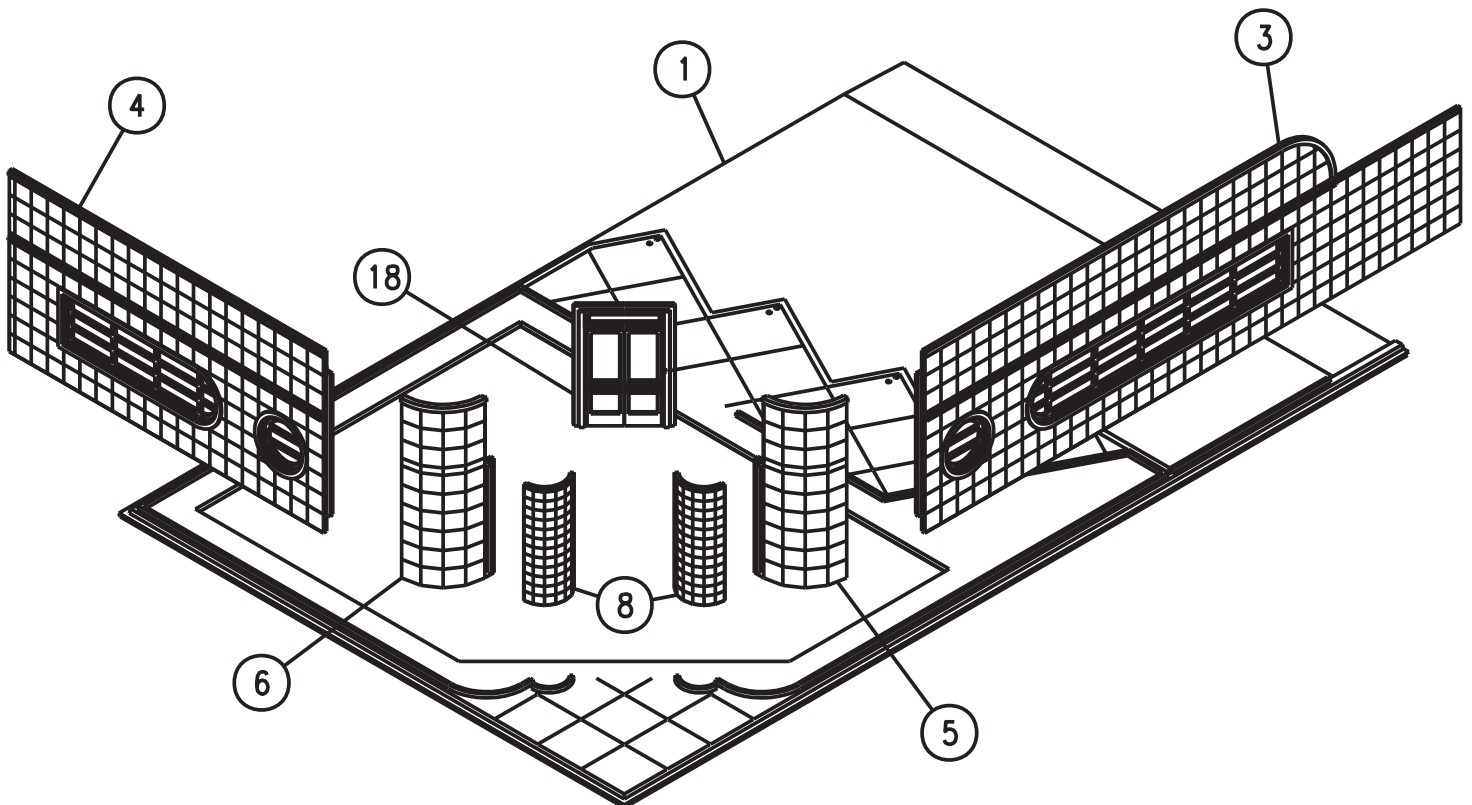


main wall assembly to base

When assembling Walls, carefully align Wall tabs with each Wall. Dry fit each part before applying glue. Apply glue sparingly on the assembly tabs and lower back side edge of Wall.

ASSEMBLE THE PARTS AND SUB-ASSEMBLIES IN SEQUENCE:

1. Wall (6) to Base (1).
2. Wall (4) to Base (1) and Wall (6).
3. Wall (5) to Base (1).
4. Wall (3) to Base (1) and Wall (5).
5. Wall (8) to Base (1) and Wall (5).
6. Wall (8) to Base (1) and Wall (6).
7. Door (18) to Walls (8).

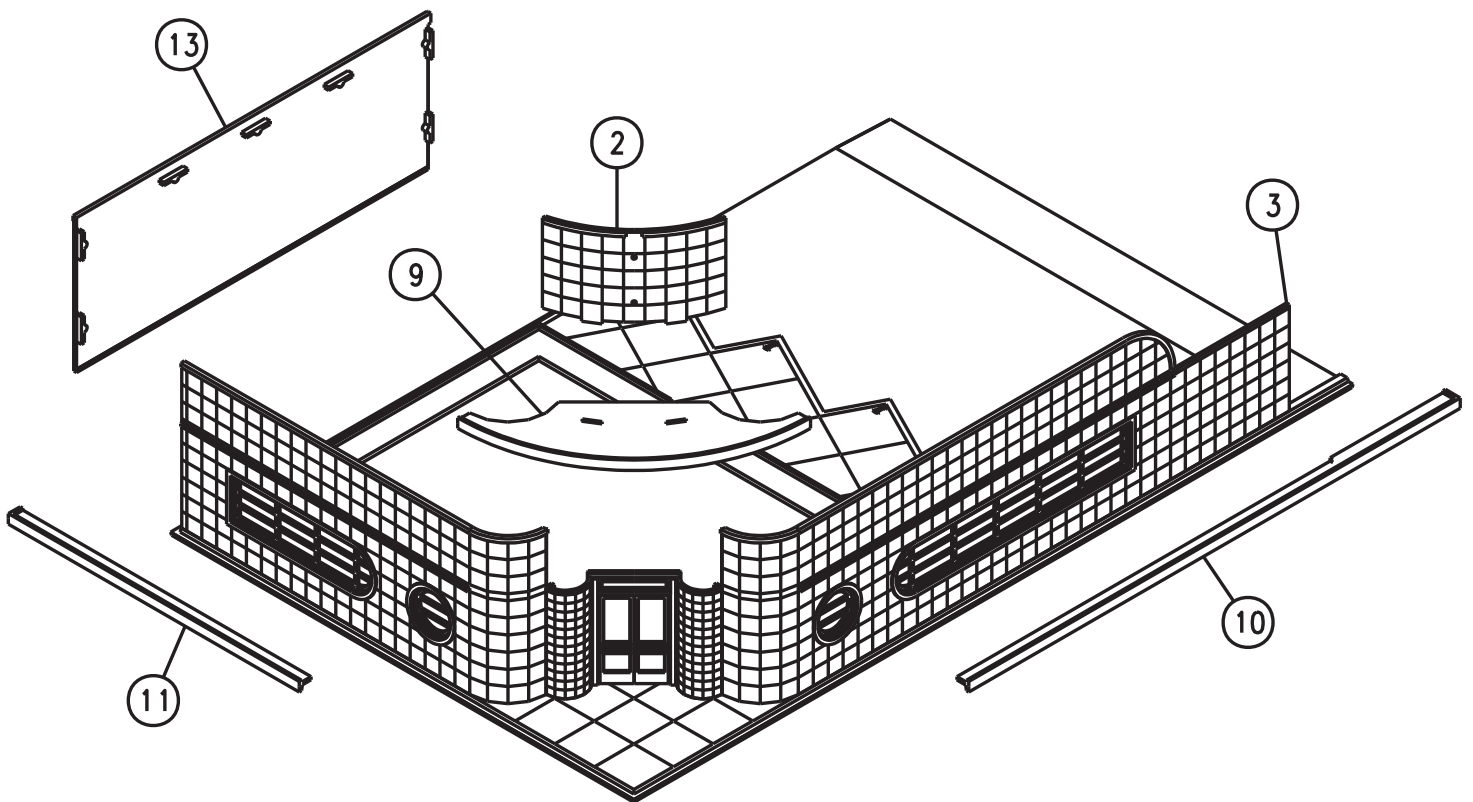


brick wall, entrance roof and trim assembly

When assembling Brick Walls, carefully align Wall tabs with each Wall. Dry fit each part before applying glue. Apply glue sparingly on the assembly tabs and lower backside edge of wall.

ASSEMBLE THE PARTS AND SUB-ASSEMBLIES IN **SEQUENCE**:

1. Wall (13) to Base (1).
2. Main Entrance Roof (9) over Door (18) and Walls (8). The Main Entrance Roof (9) is properly aligned and seated when the alignment channels on the **BOTTOM** of roof are seated in top of Walls (8).
3. Wall (2) into Mounting locators on Main Entrance Roof (9). The Wall (2) should be mounted **BEHIND** Walls (5) and (6).
4. Trim (11) to top of Mounting Ridge on Wall (4).
5. Trim (10) to top of Mounting Ridge on Wall (3).

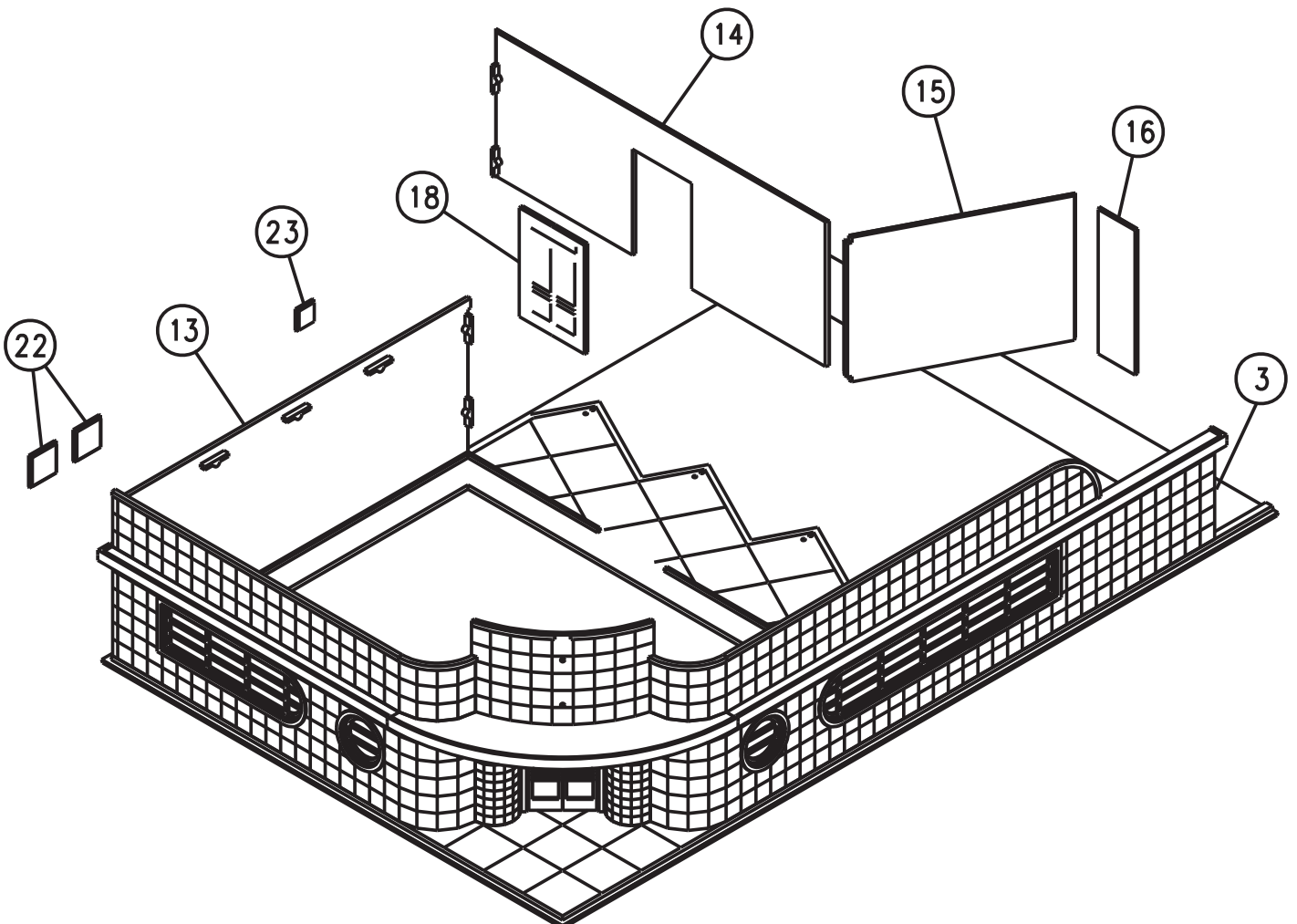


back door, walls, and vents assembly

When assembling the Back Walls, carefully align Wall alignment tabs with each adjoining Wall. Apply glue sparingly to the alignment tabs and lower backside edge of Wall.

ASSEMBLE IN SEQUENCE:

1. Back Door (18) to Wall (14).
2. Back Wall (16) to Wall (3). Be sure the FLAT END of Wall (16) is glued to Wall (3) and BEVELED edge is exposed.
3. Wall (15) to Brick Wall (16).
4. Wall (14) to Brick Wall (15) and Wall (13).
5. Large (22) and Small (23) Vents into appropriately sized openings on Wall (13).

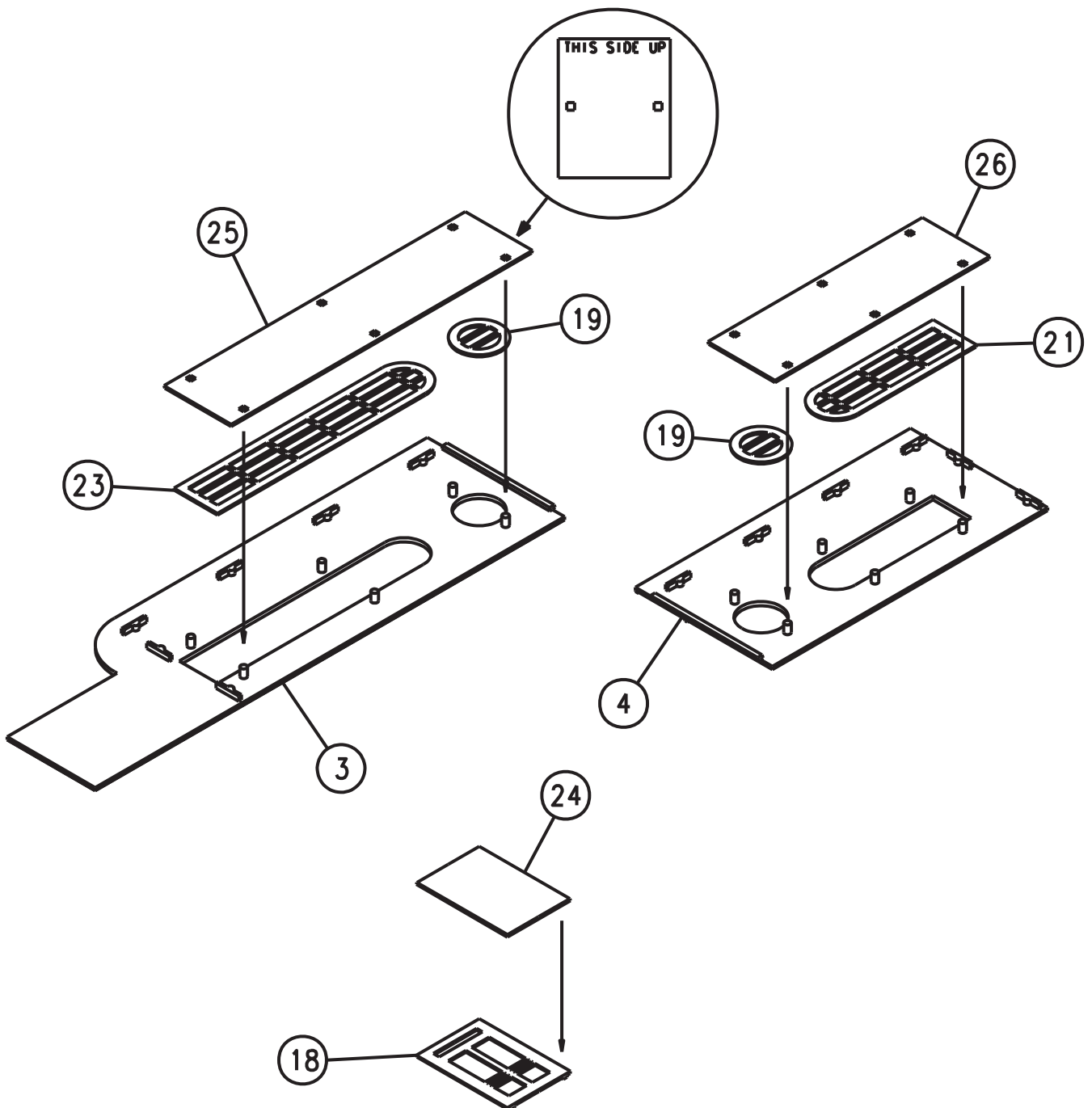


window frames and clear parts assembly to walls

Assemble all parts to BACKSIDE of the Walls. When properly positioned, the Window Frames fit solidly into wall window opening; the Clear Part(s) fit onto locator tabs extending from Wall and trap the windows in place. If desired, use glue on Windows and Clear Parts.

ASSEMBLE IN SEQUENCE:

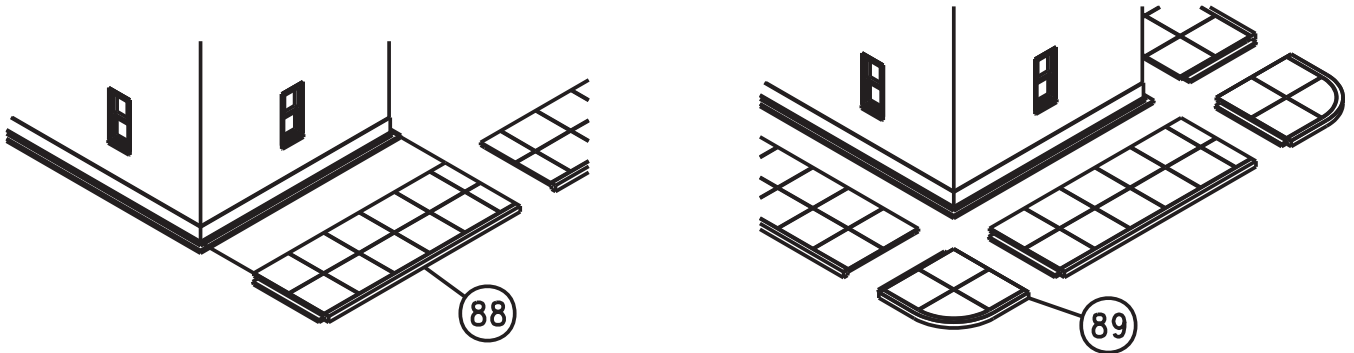
1. Window Frames (19) and (23) into Wall (3).
 2. Clear Part (25) onto Wall (3).
 3. Window Frames (19) and (21) into Wall (4).
 4. Clear Part (26) onto Wall (4).
- Assemble Two Doors:
5. Clear Part (24) onto Door (18).



sidewalk assembly

Depending on the location of this building on your layout, you have the option of placing Sidewalks on one, two, three, or four sides of this building. Cut each Sidewalk section (88) to the proper length for an appropriate fit. Use Corners (89) to connect the straight Sidewalk section (88).

NOTE: The sidewalks included with this kit are compatible with the Street and Sidewalk System made by Wm. K. Walthers Co. Milwaukee, WI.



Decals

Custom decals have been included with your kit and can be applied at your discretion. Application directions are provided on the back of the decal envelope.

DAMAGED OR MISSING PARTS:

We take great care in ensuring that all parts are present and in good condition. In the unlikely event that a part is missing or damaged, our Service Department will be happy to assist you. For more information contact:



Service Department
Bachmann Industries, Inc.
1400 East Erie Avenue
Philadelphia, Pennsylvania 19124

Phone: 1-800-356-3910



Bachmann Industries, Inc., 1400 East Erie Avenue, Philadelphia, PA 19124
www.bachmanntrains.com
Printed in Denmark.