

# *Savings & Loan*

*Spectrum*<sup>®</sup>

HO SCALE

**cityscenes**<sup>™</sup>

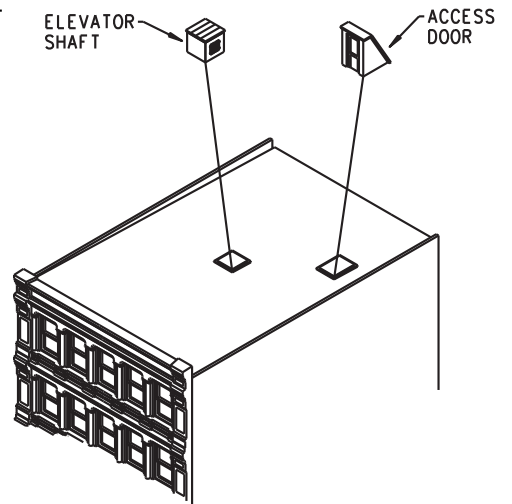
ASSEMBLY INSTRUCTIONS



**Item #88008**

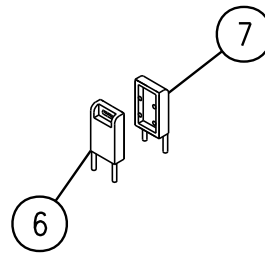
## PLACEMENT LAYOUT

1. Place Assembled Elevator Shaft Access Panel and Assembled Roof Access Door on locations as shown.



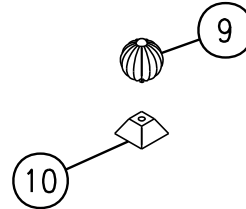
## MAILBOXES

1. Assemble Mailbox Halves (6) and (7).



## ROTARY EXHAUST VENTS

1. Assemble Roof Vent (9) to Base (10).

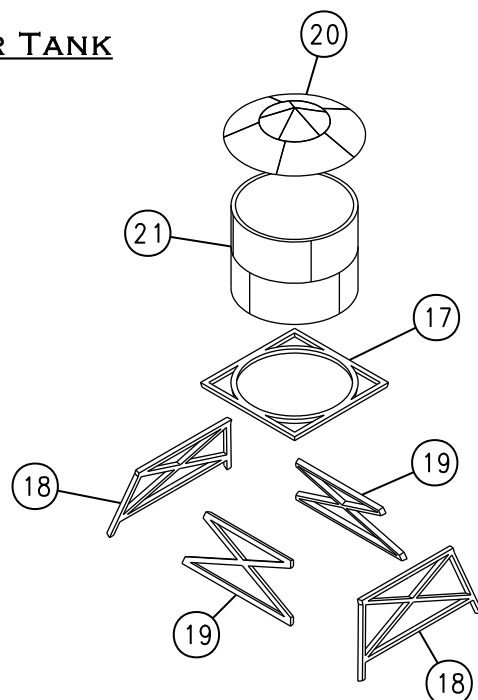


## ROOF WATER TANK

**NOTE:** The roof of this building is slanted towards the back wall. To assemble Water-Tower “level,” cut approximately 2 mm off the bottom of two supports and place in desired location. Glue should be applied sparingly to all parts.

### ASSEMBLE IN SEQUENCE:

1. Two pieces of Roof Support (18) to two pieces of Cross Braces (19).
2. Tank Base (17) to Braces (18) and (19).
3. Tank Top (20) to Tank Main Body (21).
4. Prior to final assembly of Tank to Base, allow glue on Base assembly to dry. After glue has dried, assemble Tank to Base.



## READ PRIOR TO ASSEMBLY

TO ENHANCE THE AESTHETIC AND REALISTIC QUALITIES OF THIS BUILDING, PARTS HAVE BEEN DESIGNED AND MANUFACTURED IN SCALE PROPORTIONS. AS A RESULT, SOME PARTS ARE FRAGILE AND REQUIRE CARE IN ASSEMBLY. THEREFORE... EASY DOES IT. AS WITH ANY MODEL BUILDER KIT, A DEGREE OF PATIENCE IS REQUIRED TO ACHIEVE THE BEST RESULTS.

### ASSEMBLY HINTS

- Read through these instructions and examine the parts supplied to familiarize yourself with all aspects of the building prior to assembly.
- Remove the parts as needed, not at random.
- To remove the parts from the sprues, cut, not break, each part.
- However, when removing Clear Parts from the sprue, bend the Clear Part back and forth. The bending action will safely remove part from sprue.
- If you choose to paint any parts, we suggest you do so prior to assembly.
- To ensure a nice, tight fit, carefully remove all excess sprue marks with a modeling knife or hobby file. This is a necessity or parts will not fit properly.
- Follow the sequence guide to ensure correct placement of the parts.
- VERY IMPORTANT - Before gluing, dry fit the parts.
- Use glue sparingly, especially when assembling Window Frames and Clear Parts. These parts have been designed to tight tolerances, in many cases enabling you to trap the Window Frames between the Wall and the Clear Part, and therefore require only "tack" gluing.
- All Window Clear Parts are marked "**THIS SIDE UP.**" For proper assembly, be sure "**THIS SIDE UP**" is facing you and legible when assembling. This will properly orient the part to slide easily onto locator tabs.
- Prior to assembling a Window Clear Part, be sure you have matched "Open" and "Closed" Window Frames with "Open" and "Closed" (solid) Clear Parts (if applicable to your model). The Clear Parts, once mounted on the mounting tab, are difficult to remove from the tab. If the Clear Part must be removed, gently pry the Clear Part upward until loose. When mounting Window Frames, be careful that they are positioned correctly, according to the instructions of your specific model.
- Prior to assembly, brick areas can be enhanced by adding modeling mortar (if applicable for your model). We use Robert's Brick Mortar Formula. It's easy to apply and looks great. For product information, contact Robert's Products Co., P.O. Box 270057, Milwaukee, WI 53227.
- Use the full-color box lid as a helpful guide during assembly.
- Now it's time to break ground for the construction of your Cityscenes™ building. Take your time and have fun!

### RECOMMENDED TOOLS

**Modeling Knife** - For removing parts from sprue and trimming.

**Hobby File** - For removing sprue marks.

**Glue** - Preferably a liquid, easy-to-brush adhesive. Use it sparingly.

**3/8 - 1/2" Brush** - Helpful in spreading glue on larger areas.

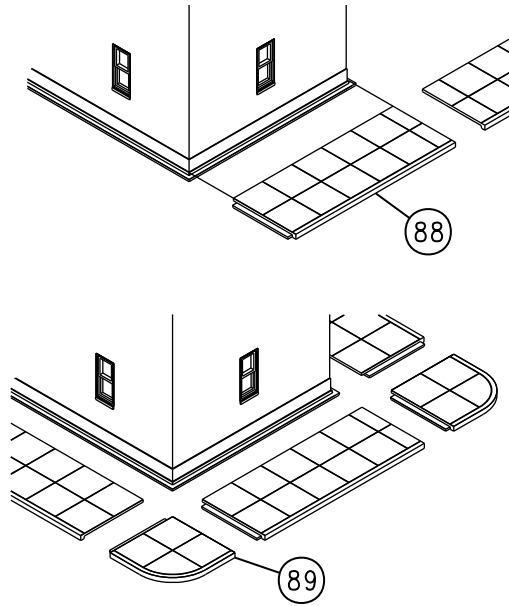
**Tweezers** - For assembling smaller parts.

**Sandpaper or Emery Board** - For removing flash.

## **sidewalk assembly**

Depending on the location of this building on your layout, you have the option of placing Sidewalks on one, two, three, or four sides of this building. Cut each Sidewalk section (88) to the proper length for an appropriate fit. Use Corners (89) to connect the straight Sidewalk sections (88).

**NOTE:** The Sidewalks included with this kit are compatible with the Street and Sidewalk System made by Wm. K. Walther's Co. Milwaukee, WI.



## **back wall sub assembly**

### FIRE ESCAPES - WALL LOCATOR HOLES:

On the Back Wall (5), locator holes have been designated with, "**Optional Holes for Fire Escape.**" If you intend to assemble the Fire Escapes to the Back Wall, drill out holes prior to window assembly. Drill from the back side, using a .039 (#61) drill bit. You may also use a hobby knife to open the holes, but take care not to make these holes oversized.

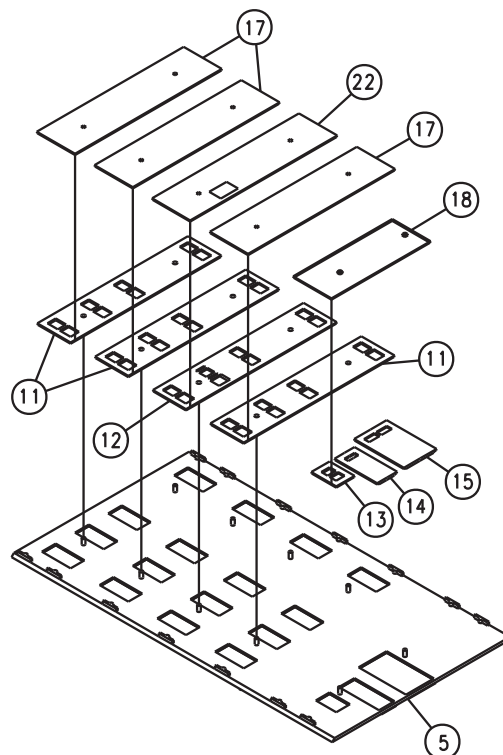
### WINDOW AND DOOR SUB ASSEMBLY:

Assemble all parts to BACKSIDE of the Wall. When properly positioned, the Windows and Doors fit solidly into walls. The Clear Part(s) fit onto locator tabs extending from Wall and, where windows are required, trap the windows in place. If desired, use glue on Windows and Clear Parts.

While a suggested window arrangement is shown, you may position the "Open" and "Closed" windows however you choose. **IMPORTANT** - Once you determine the location of the "Open" and "Closed" windows, be sure to match those with "Open" and "Closed" (solid) Clear Parts.

### ASSEMBLE IN SEQUENCE:

1. Three pieces "Closed" Window Panels (11) into window openings on Back Wall (5).
2. Three pieces Clear Part (17) onto locator tabs of Back Wall (5).  
**NOTE:** Match with "Closed" Windows.
3. One piece "Open" Window Panel (12) onto Back Wall (5).
4. One piece Clear Part (22) onto locator tabs of Back Wall (5).  
**NOTE:** Match with "Open" Window.
5. Single Window (13) into opening on Back Wall (5).
6. Door (14) into Back Wall (5).
7. Freight Door (15) into opening on Back Wall (5).
8. Clear Part (18) onto locator tabs of Back Wall (5), Ground Floor.



## **final building assembly**

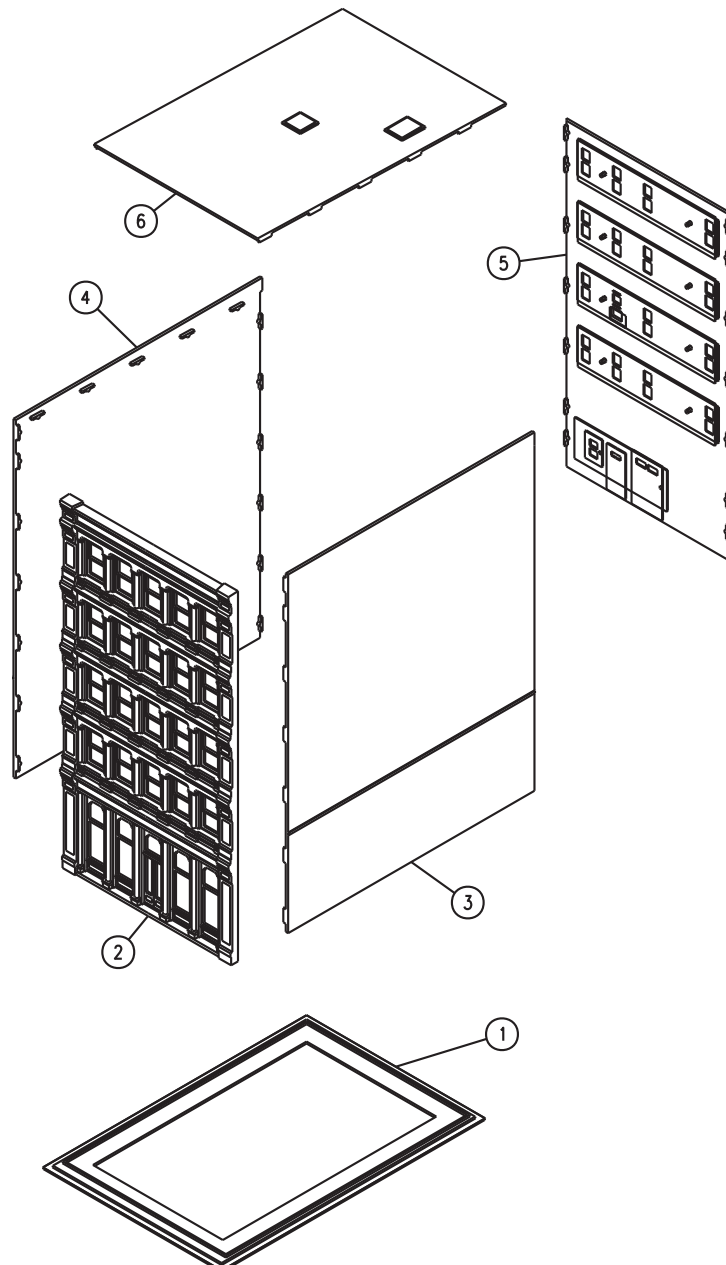
When assembling Walls, carefully align Wall tabs with each Wall. Dry fit each part before applying glue. Apply glue sparingly on the assembly tabs and lower backside edge of Wall.

Begin assembly with the Front Wall (2). For easy identification of the front side of Base (1), the base has been marked "FRONT." The Front Wall (2) is assembled to this side.

### ASSEMBLE IN SEQUENCE:

1. Front Wall (2) to Base (1).
2. Right Side Wall (3) to Base (1) and Front Wall (2).
3. Back Wall (5) to Base (1) and Wall (3).
4. Left Side Wall (4) to Base (1) and Front Wall (2) and Back Wall (5).
5. Roof (6) to all four Walls.

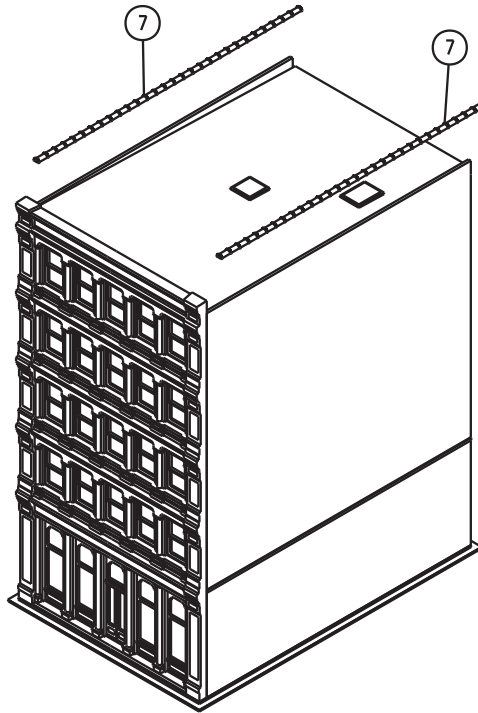
**NOTE:** The Locator tabs on the Underside of roof are attached to back Wall (5). The side which has no Locator tabs is assembled to Front wall (2).



## **wall cap assembly**

### ASSEMBLE IN SEQUENCE:

1. Wall Caps (7) to Side Walls (3) and (4). Use a minimal amount of glue in this assembly.



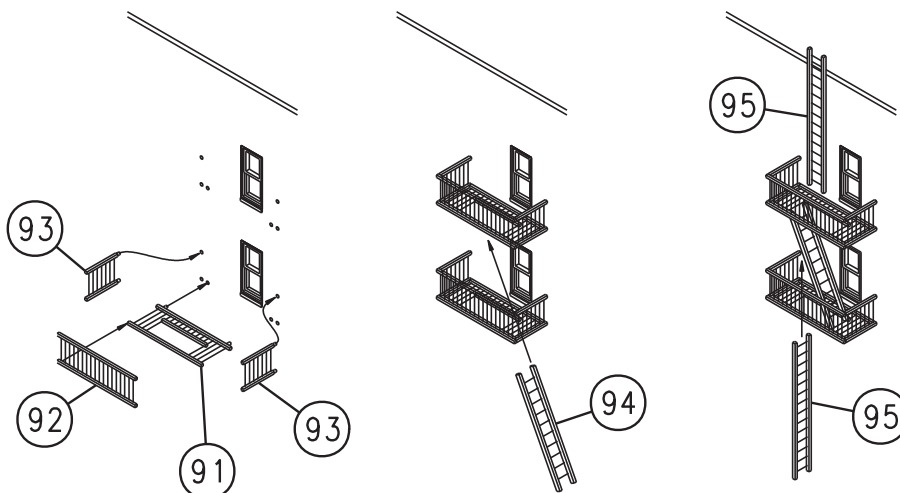
## **detail parts and accessory assemblies**

### FIRE ESCAPES:

**NOTE:** For proper positioning, make sure that tabs which fit into the Wall are all assembled facing outward in the same direction.

### ASSEMBLE FOUR FIRE ESCAPES:

1. Assemble Side Railing (92) to Floor Railing (91).
2. Assemble End Railings (93) to Floor Railing (91) and Side Railing (92).
3. After glue has dried on these assemblies, the Fire Escapes can be mounted into the Back Side locator holes opened during the Back Wall sub-assembly.
4. After assembling to Wall, place Ladders (94) and (95) into position on the Fire Escapes.



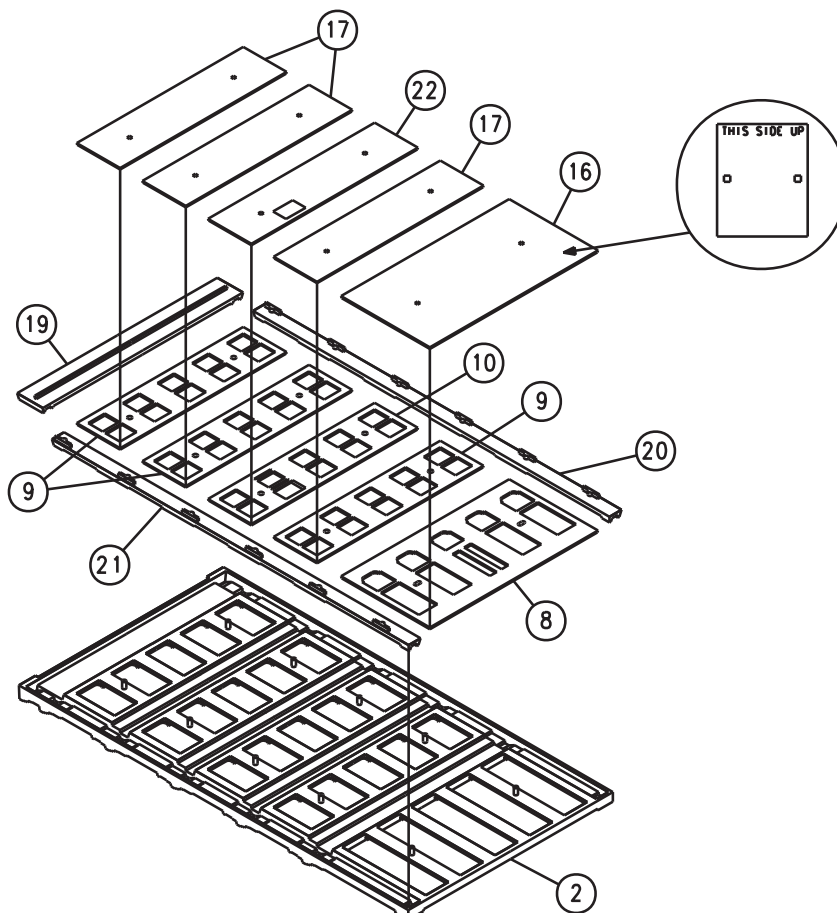
## **front wall sub assembly**

Assemble all parts to BACKSIDE of the Wall. When properly positioned, the Windows and Doors fit solidly into walls. The Clear Part(s) fit onto locator tabs extending from Wall and, where windows are required, trap the windows in place. If desired, use glue on Windows and Clear Parts.

While a suggested window arrangement is shown, you may position the "Open" and "Closed" windows however you choose. **IMPORTANT** - Once you determine the location of the "Open" and "Closed" windows, be sure to match those with "Open" and "Closed" (solid) Clear Parts.

### ASSEMBLE IN SEQUENCE:

1. Wall Locator Tabs (20) and (21) into recess on sides of Main Wall (2).  
**NOTE:** A. Each Locator Tab has one end marked "UP." This end should be placed at the top floor of Wall (2) B. When assembled, Locator Tabs should face outer edges of Front Wall (2).
2. Roof Locator Tab (19) into recess Wall (2).
3. Window Panels (9) and (10) into window openings on Wall (2).  
**NOTE:** Window Panels (9): All windows are in closed position. Window Panel (10): One window in open position. You may place windows at any floor level, but be sure to match "Open" or "Closed" windows with "Open" or "Closed" Clear Parts.
4. Ground Floor Window and Doors (8) into Front Wall (2).
5. Ground Floor Clear Part (16) onto mounting Tabs on Front Wall (2).
6. Three Clear Parts (17) onto mounting Tabs on Front Wall (2).  
**NOTE:** Match with "CLOSED" Windows.
7. One Clear Part (22) onto locating posts on Front Wall (2).  
**NOTE:** Match with "OPEN" Window.





## **roof and sidewalk detailing accessories**

Your kit comes complete with optional Roof and Sidewalk Detailing Accessories. Some, such as Roof Vents Parts (11) and Fire Hydrants Parts (8), do not require assembly. Others require assembly as shown.

After assembly, position the accessories on or around your building as required.  
Suggested locations:

### **BUILDING ROOF TOP**

Rotary Exhaust Vents  
Water Tank  
Roof Vents

### **SIDEWALK**

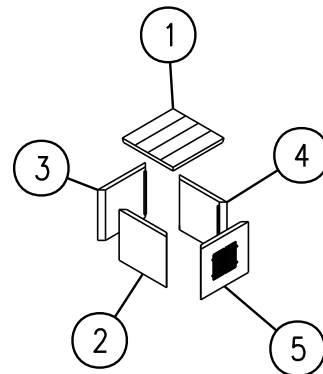
Mail/Express Boxes  
Fire Hydrants

**NOTE:** Dry Fit each part before assembly. Glue should be applied sparingly to the assembly tabs.  
For added detail, parts can be individually painted before assembly.

### **ELEVATOR SHAFT ACCESS PANEL**

ASSEMBLE IN SEQUENCE:

1. Side Panel (2) to Panel (3).
2. Side Panel (4) to Panel (3).
3. Front Panel (5) to Side Panel (2) and (4).
4. Roof (1) to Walls (2), (3), (4), and (5).

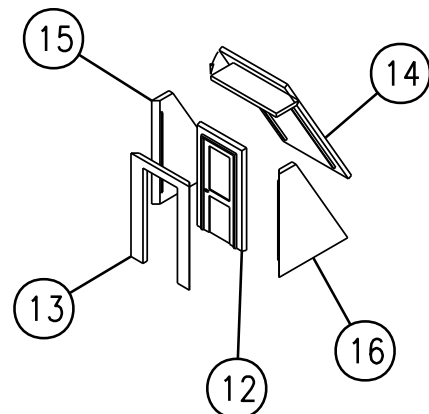


### **ROOF ACCESS DOOR**

**NOTE:** Glue should be applied sparingly to all parts.

ASSEMBLE IN SEQUENCE:

1. Door (12) to Wall (13).
2. Wall (15) to Front Wall (13).
3. Wall (16) to Front Wall (13).
4. Roof (14) must be bent slightly downward to the contours of Walls (13), (15), and (16). Once bent, assemble Roof (14) to Walls (13), (15), and (16).



## **Decals**

Custom decals have been included with your kit and can be applied at your discretion. Application directions are provided on the back of the decal envelope.

### DAMAGED OR MISSING PARTS:

We take great care in ensuring that all parts are present and in good condition. In the unlikely event that a part is missing or damaged, our Service Department will be happy to assist you. For more information contact:



Service Department  
Bachmann Industries, Inc.  
1400 East Erie Avenue  
Philadelphia, Pennsylvania 19124

Phone: 1-800-356-3910

AFTER YOU COMPLETE THE FINAL ASSEMBLY STEP, YOU WILL HAVE SOME PARTS LEFT OVER. THESE PARTS ARE NOT NEEDED. YOU MAY USE PARTS FOR SCRATCHBUILDING PROJECTS.



Bachmann Industries, Inc., 1400 East Erie Avenue, Philadelphia, PA 19124  
[www.bachmanntrains.com](http://www.bachmanntrains.com)  
Printed in Denmark.