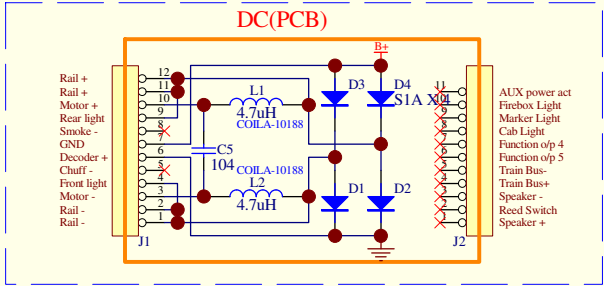
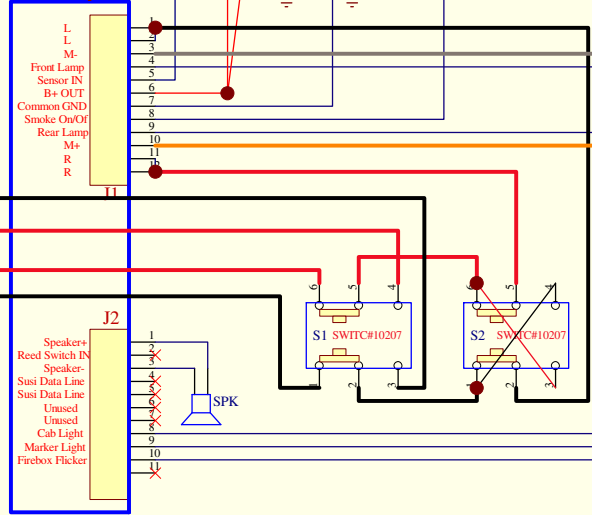
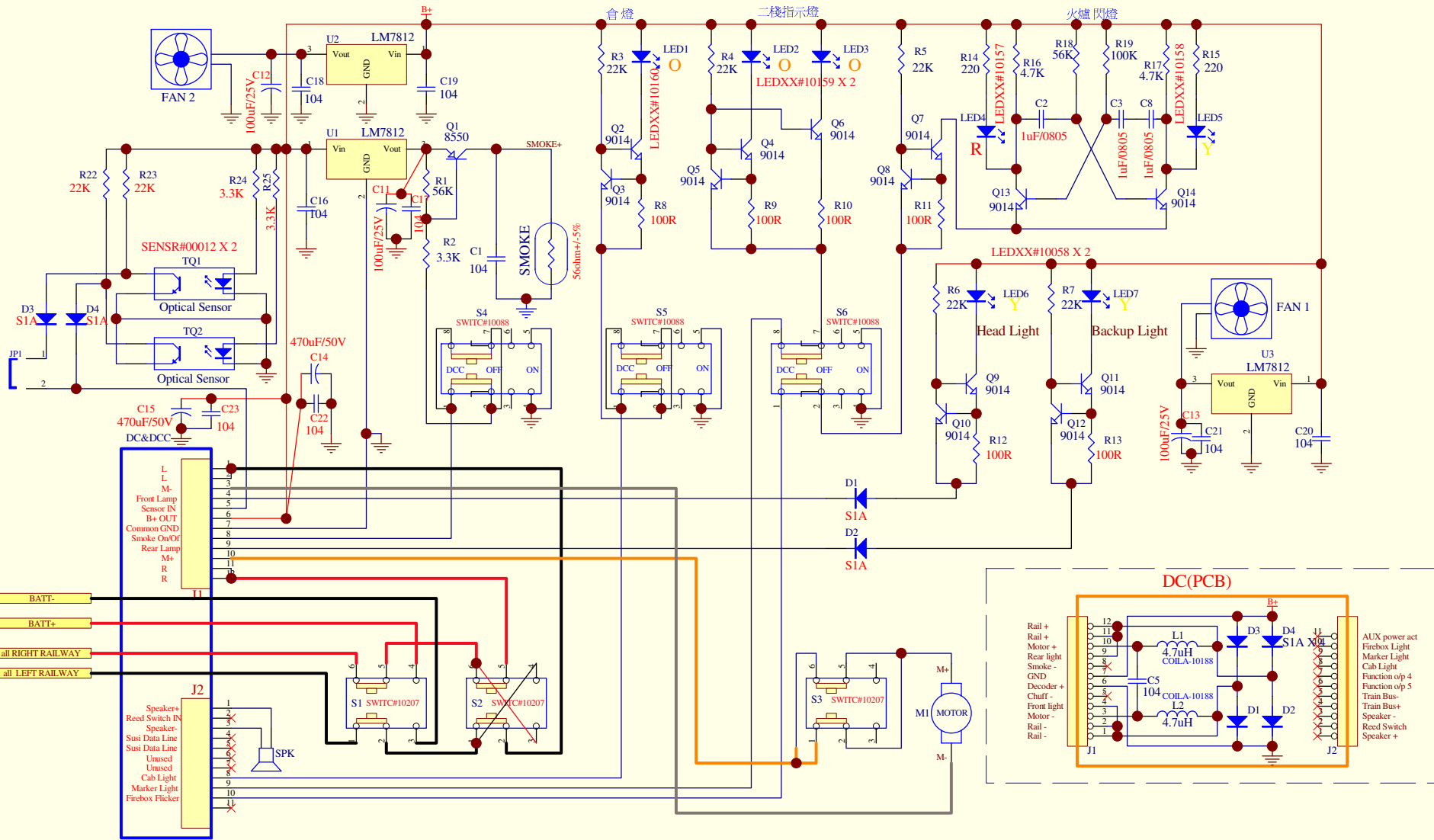


REV	DETAIL OF CHANGE	DATE	PERPARED BY
A	INITIAL RELEASE	2007/10/10	xu ya bo



ISSUED :  
 CHECKED :  
 APPROVED :

KADER GROUP			
Title G K-27			
Size A3	Document Number G827X#SCH01	Rev A	
Date 2007/10/10	Sheet 1	OF 1	