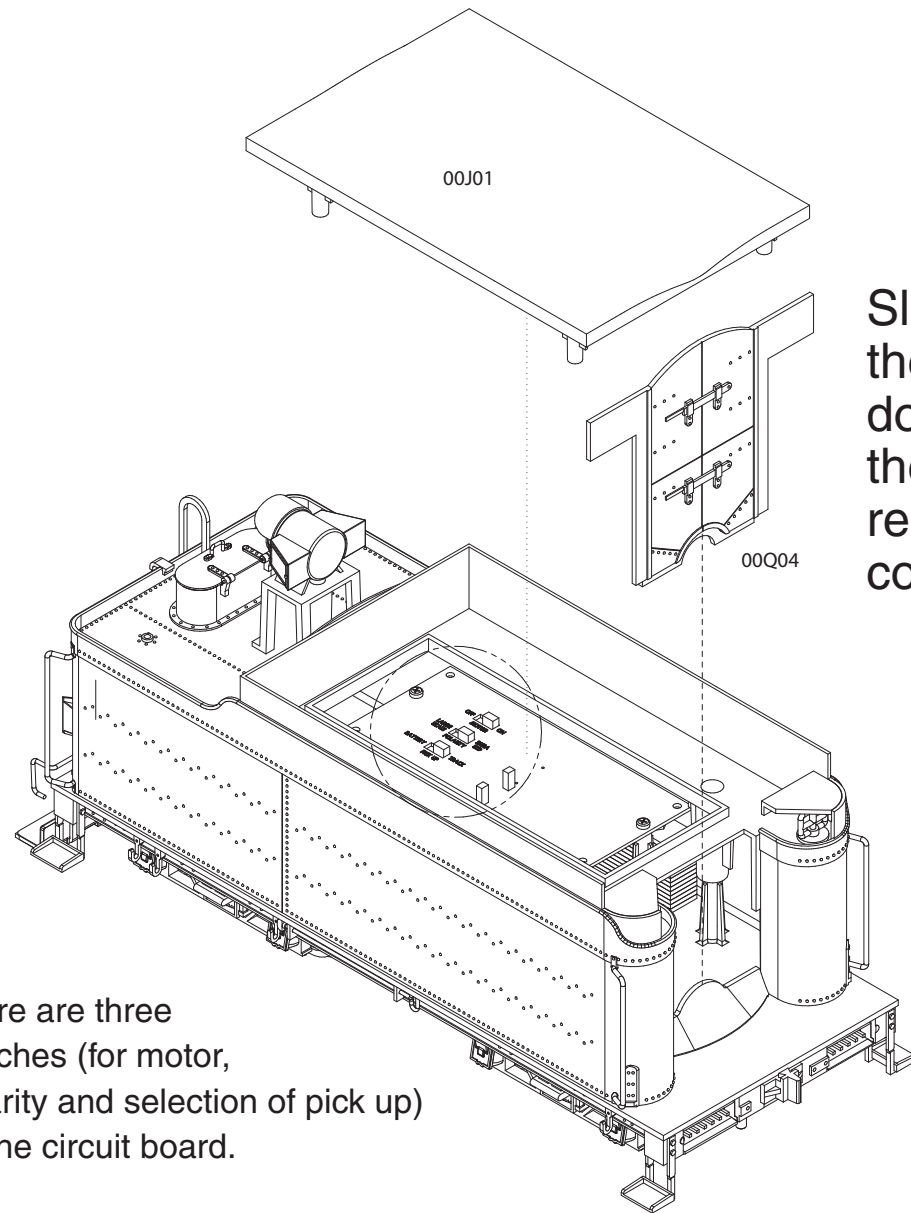
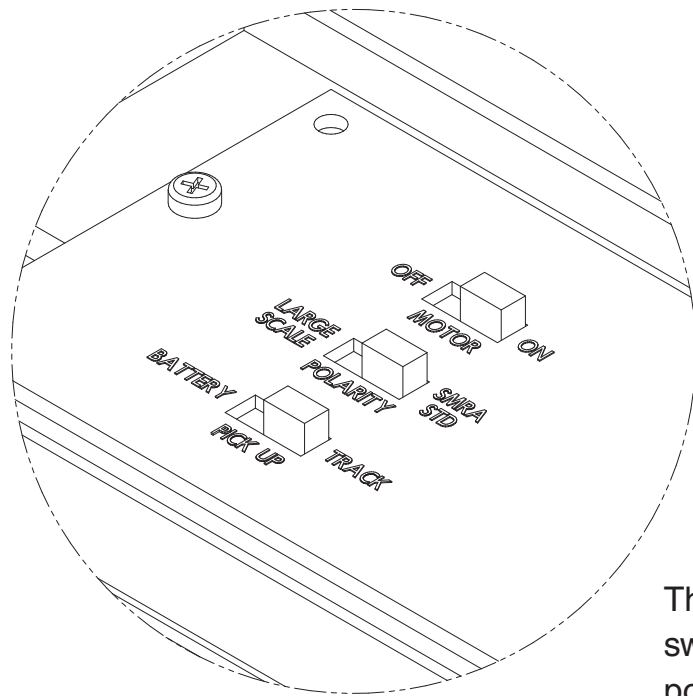


How to separate the coal load from the tender and find the interface circuit board?



Slide up the tender door & then easily remove the coal load

There are three switches (for motor, polarity and selection of pick up) on the circuit board.



BACHMANN INDUSTRIES, INC.
1400 East Erie Avenue
Philadelphia, Pennsylvania 19124 USA
800-356-3910
www.bachmanntrains.com
Printed in China