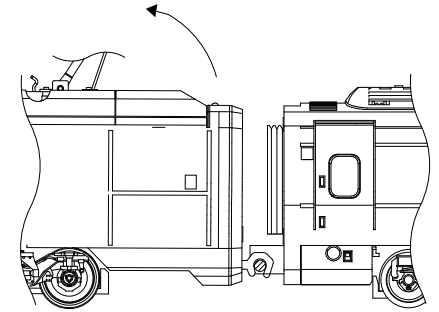
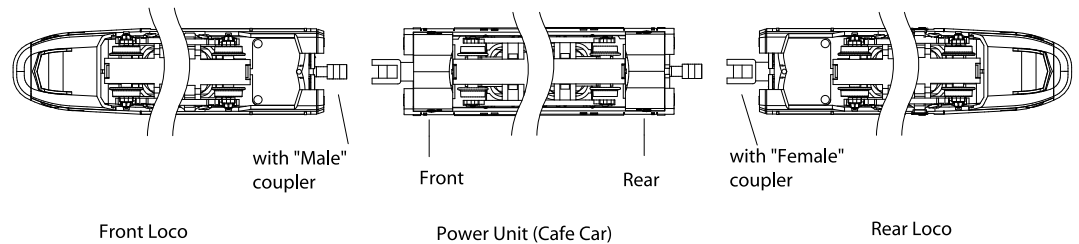
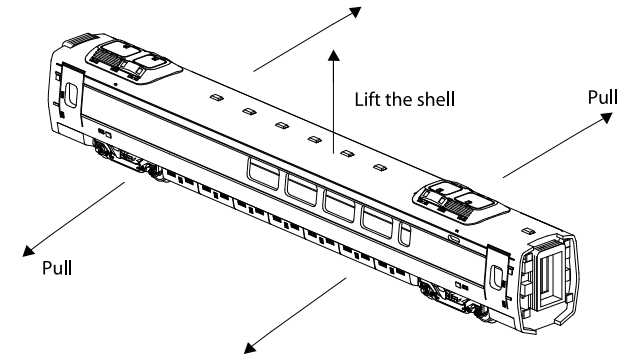


a) Coupling of cars
 -Hold one car down on the track and hook another one at the same time until couplers engage.



b) Uncoupling of cars
 -Hold one car down on the track and lift up another one at the same time until couplers disengage.

c) Removing car body
 -Gently pulling the bottom sides out and lifting the shell.



Important:
 - There are three factory installed decoders in the power unit (cafe car) and in the two non-powered end locomotives.
 - The decoders are only for the lighting function in the Front/ Rear Locomotives.