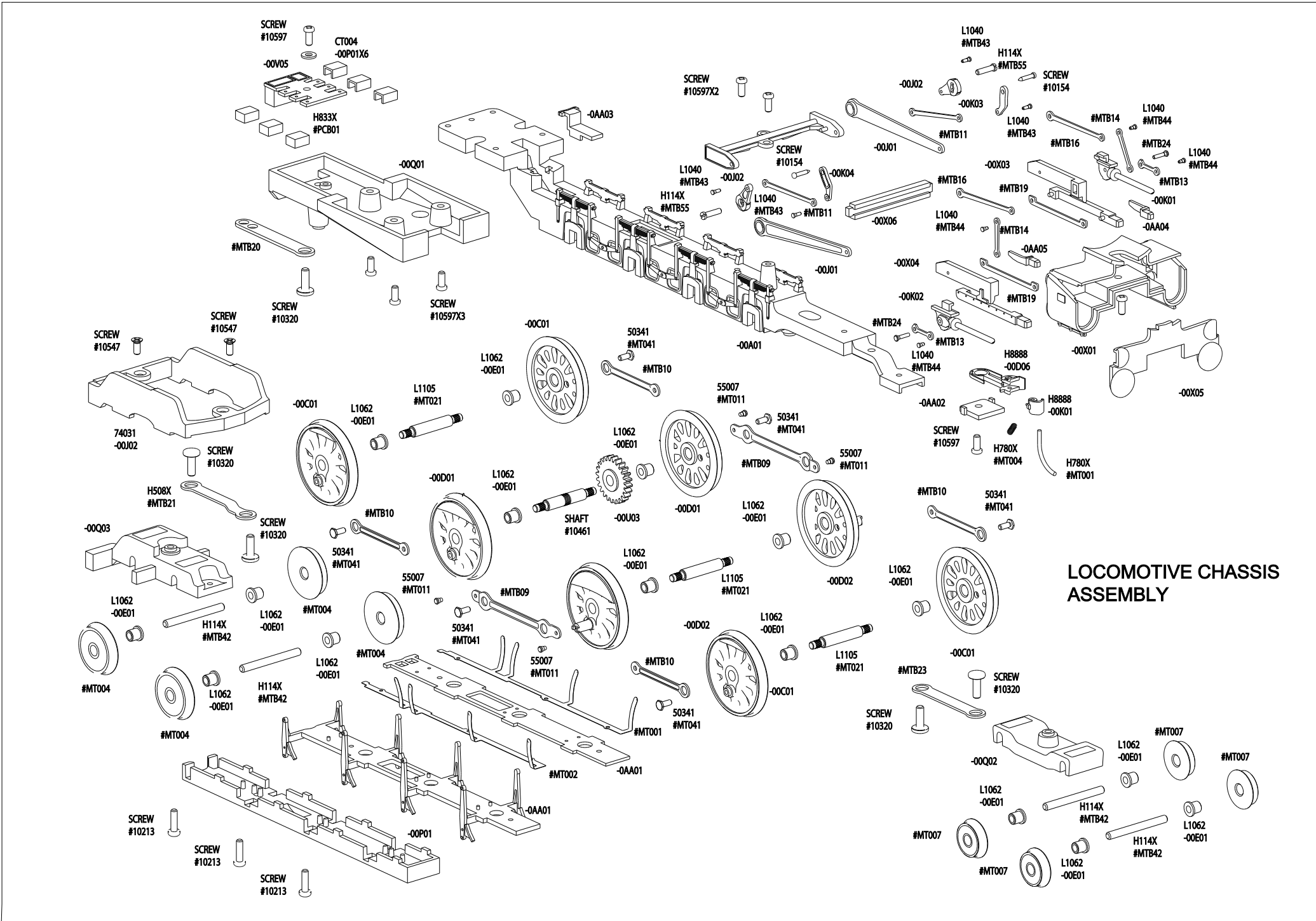


BODY SHELL ASSEMBLY



LOCOMOTIVE CHASSIS ASSEMBLY

