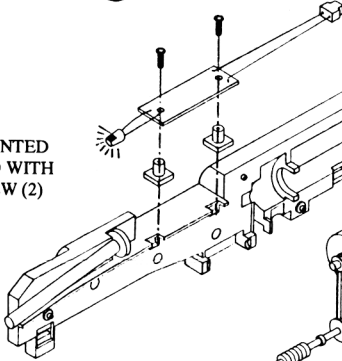
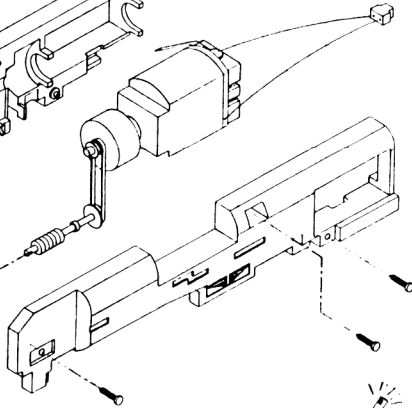


H81601
4-8-2M BODYSHELL

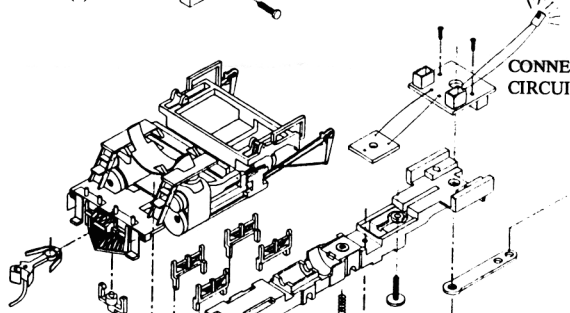
H81602
HEADLIGHT PRINTED
CIRCUIT BOARD WITH
PLUG AND SCREW (2)



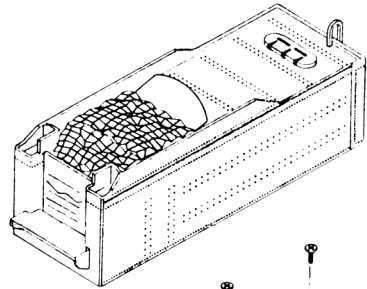
H81603
MOTOR WITH BELT AND
WORM AND PLUG



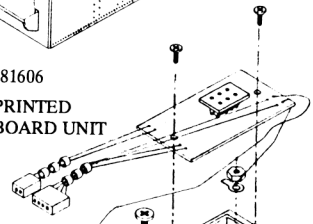
H81605
DIE CAST BODY
LEFT AND RIGHT
WITH SCREW (3)



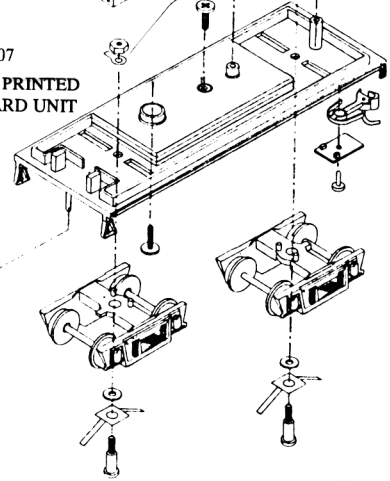
H81604
TENDER TOP



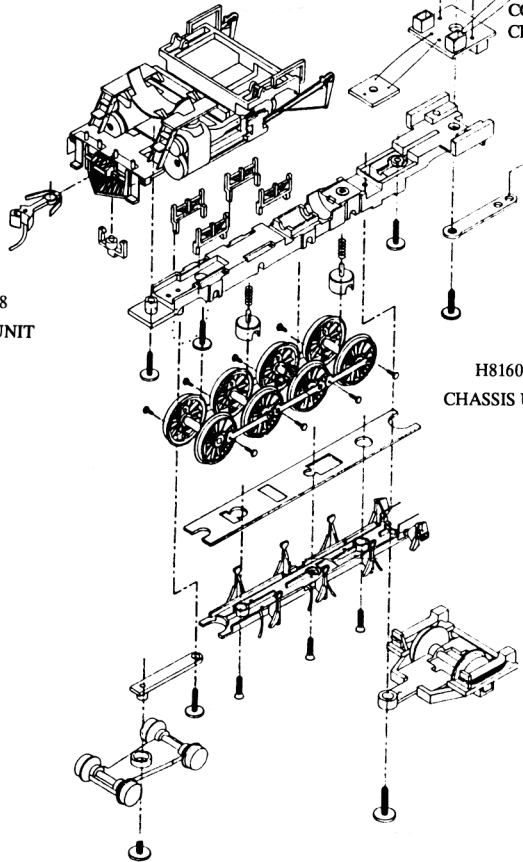
H81606
TENDER PRINTED
CIRCUIT BOARD UNIT



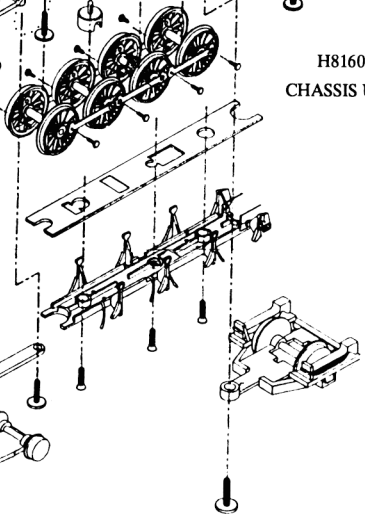
H81607
CONNECTOR PRINTED
CIRCUIT BOARD UNIT



H81608
PISTON UNIT



H81609
CHASSIS UNIT



H81610
TENDER CHASSIS WITH
TRUCK (2) AND WEIGHT

