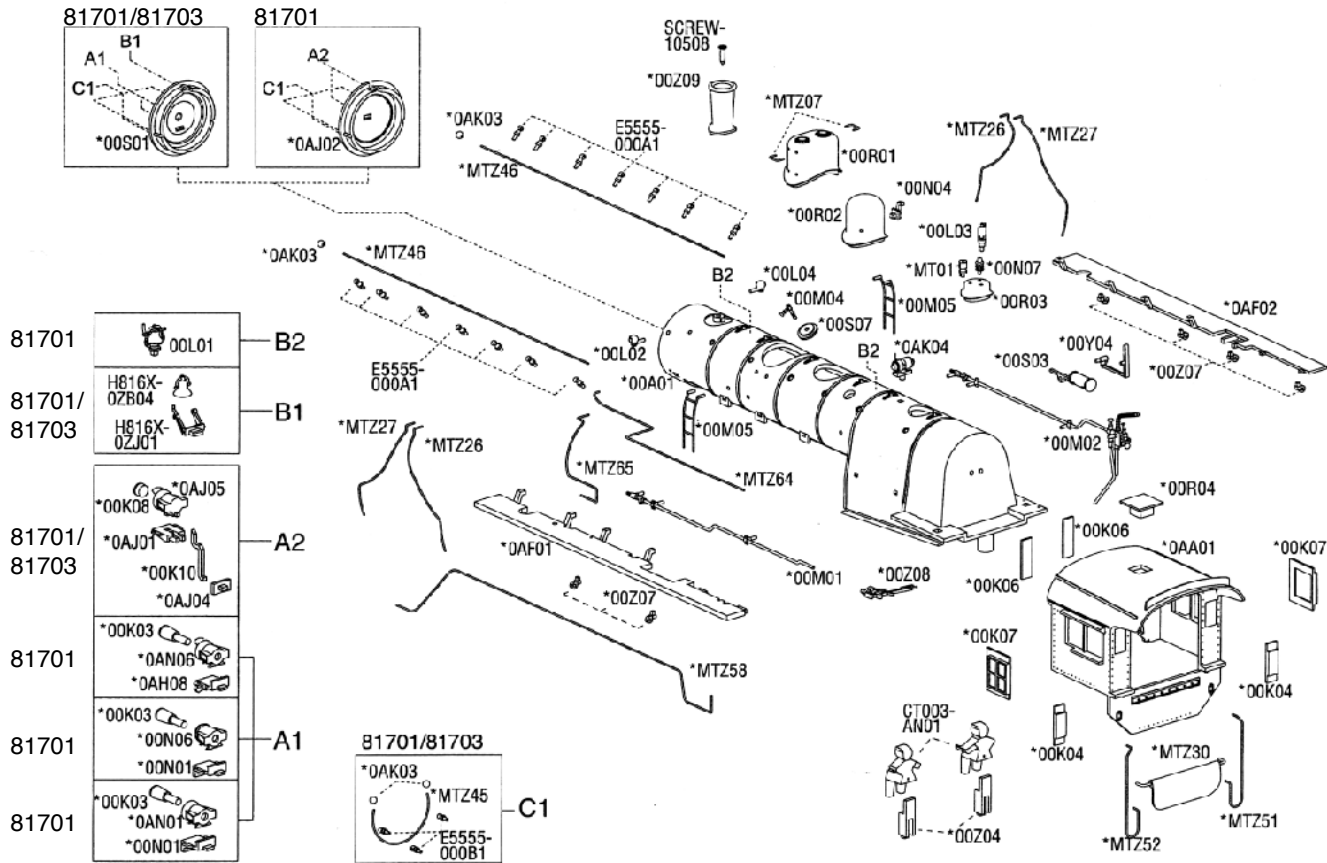
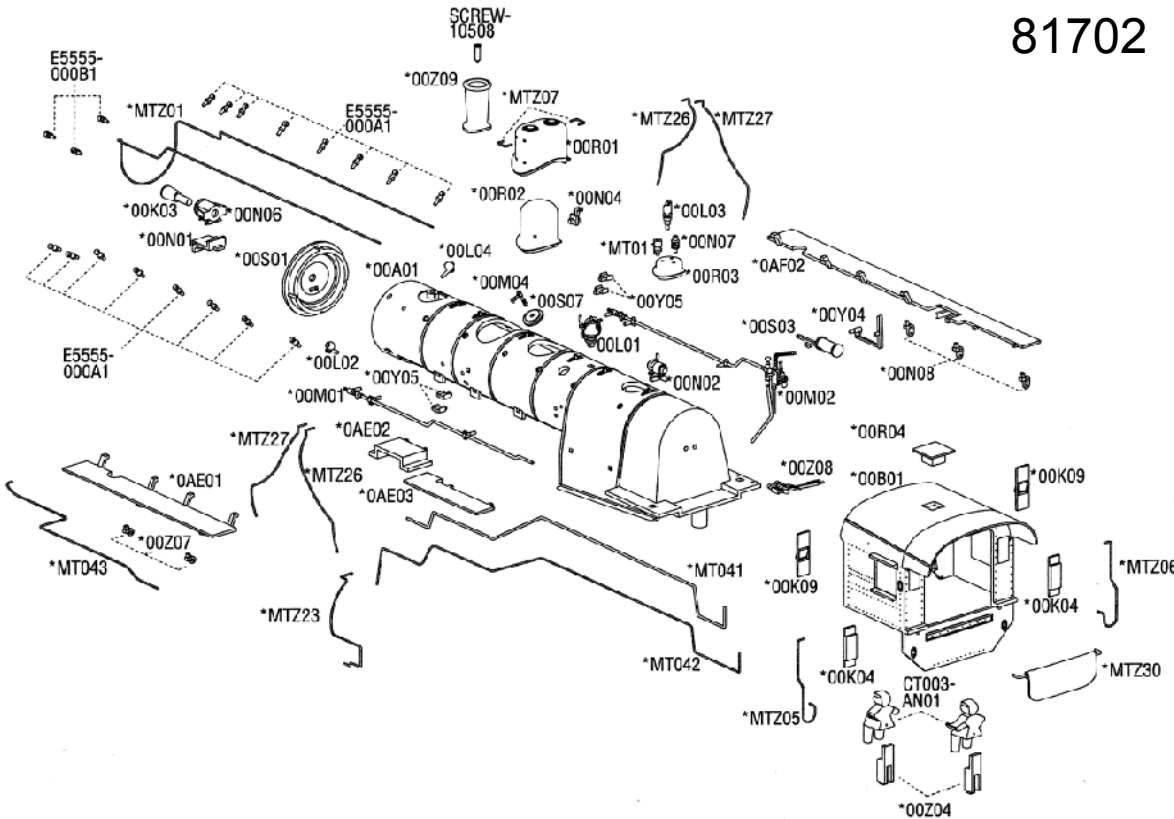


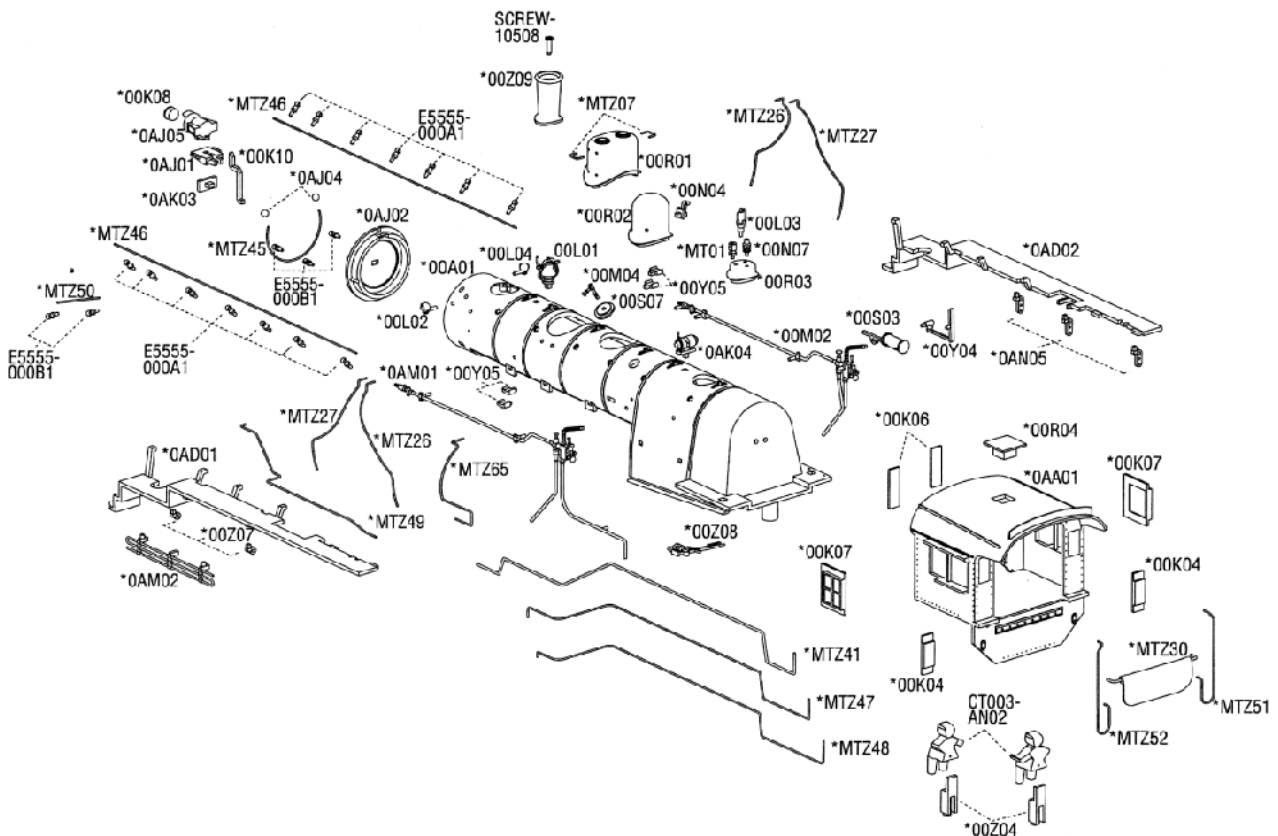
81701/3



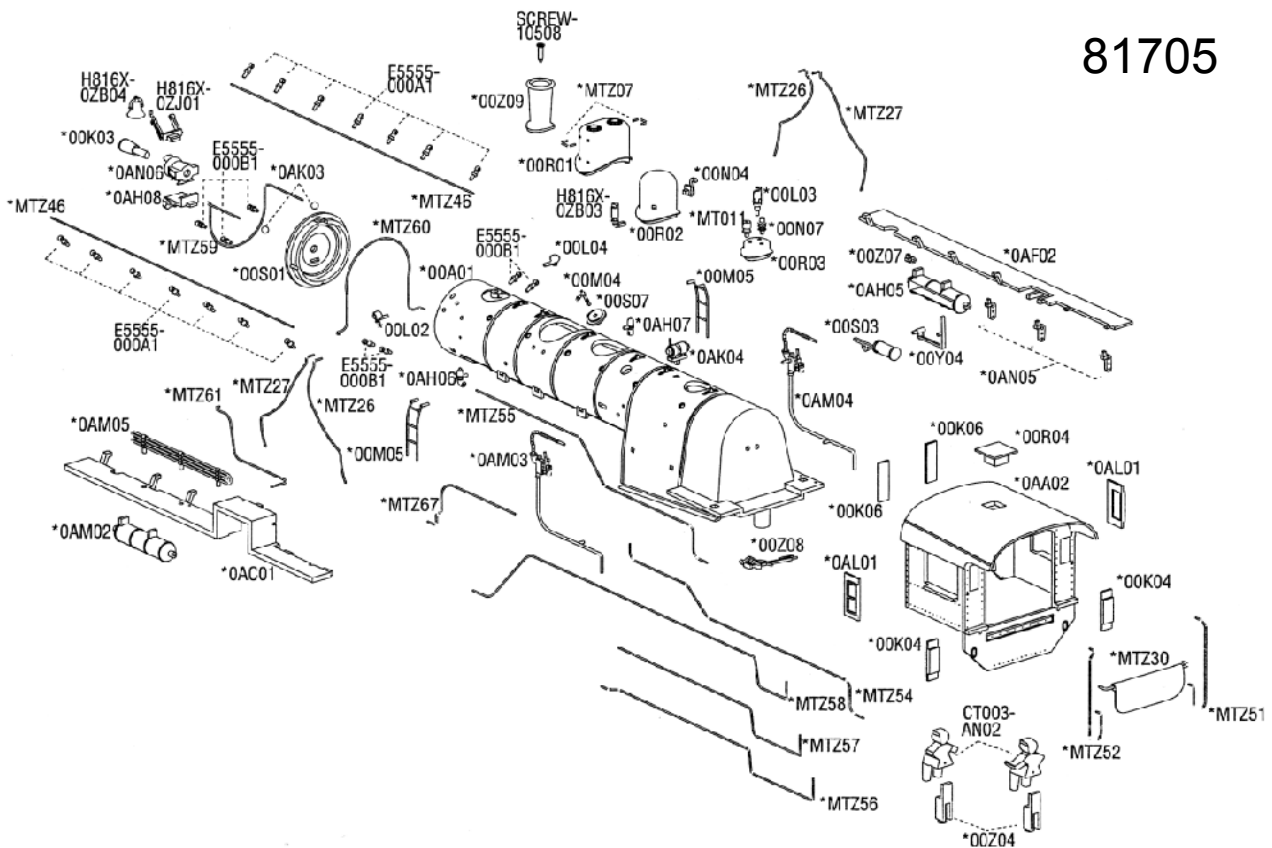
81702

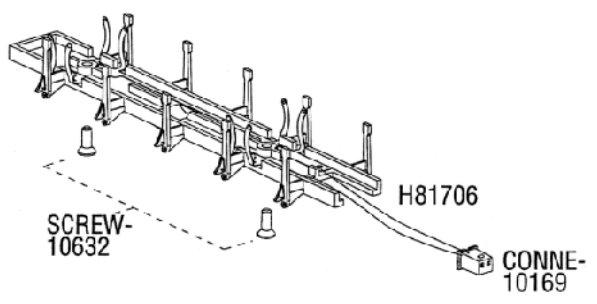
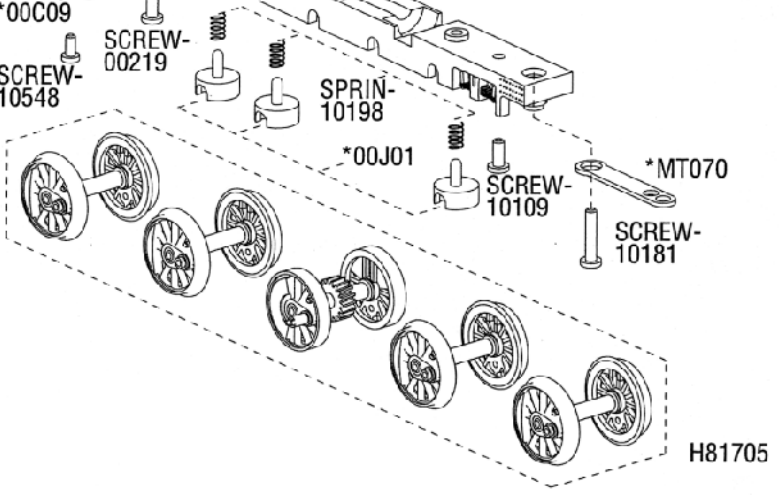
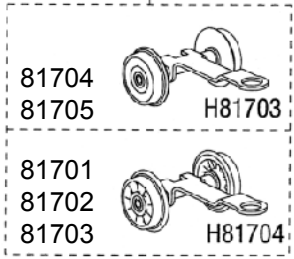
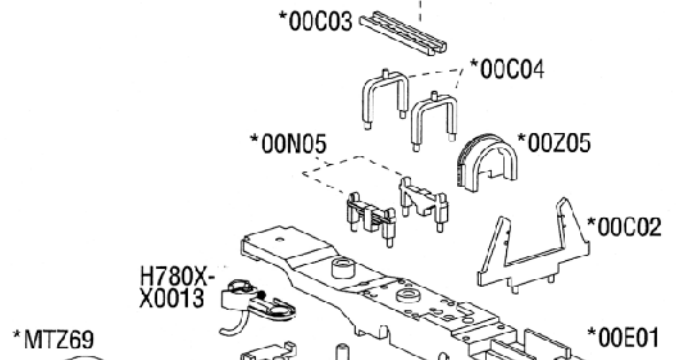
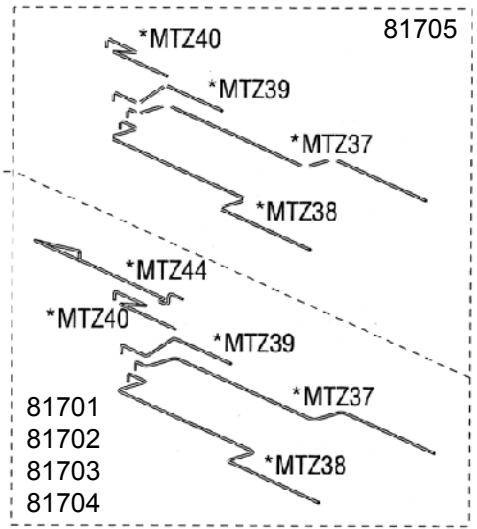
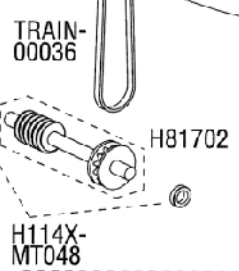
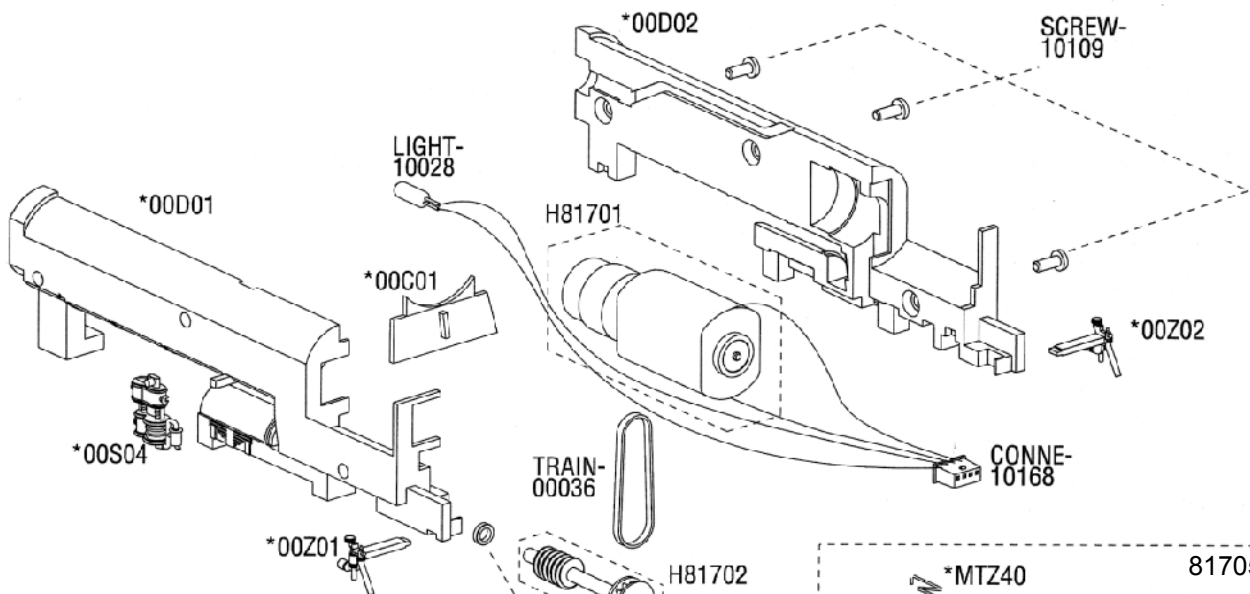


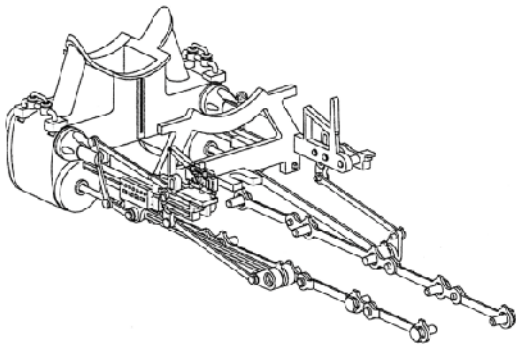
81704



81705

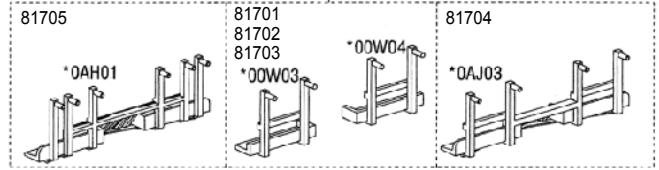
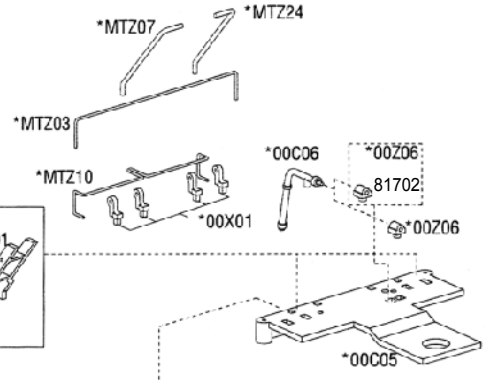
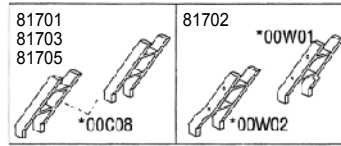




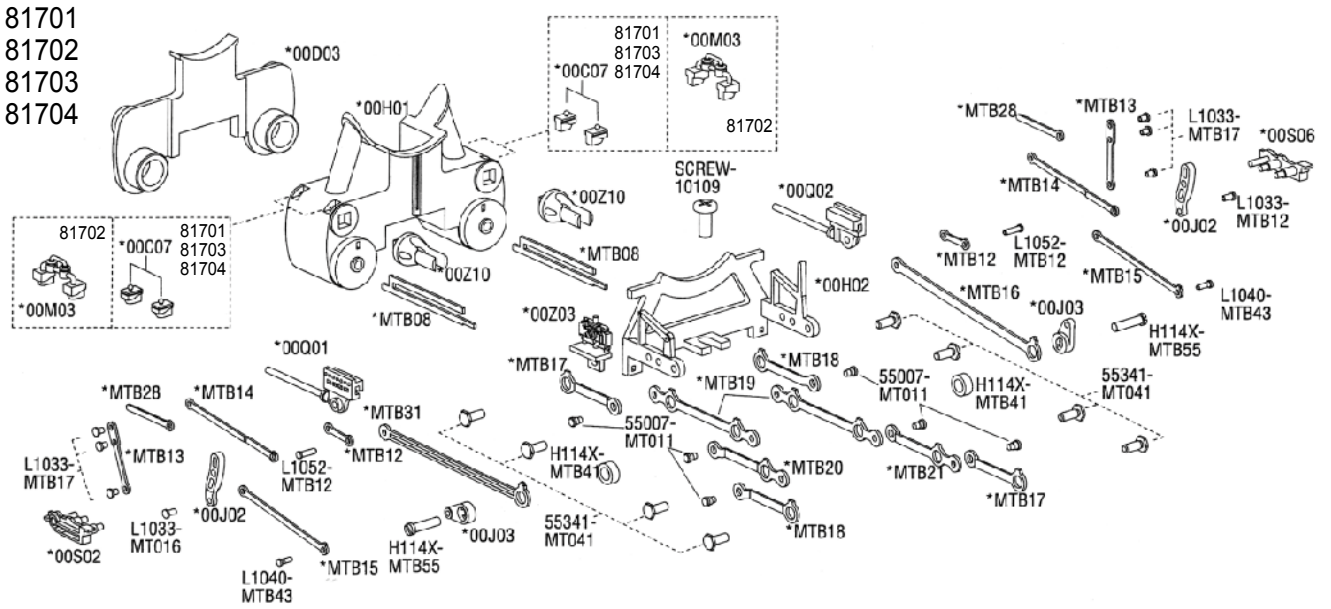
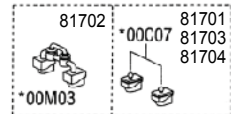


**CYLINDER & VALVE GEAR ASSEMBLY**

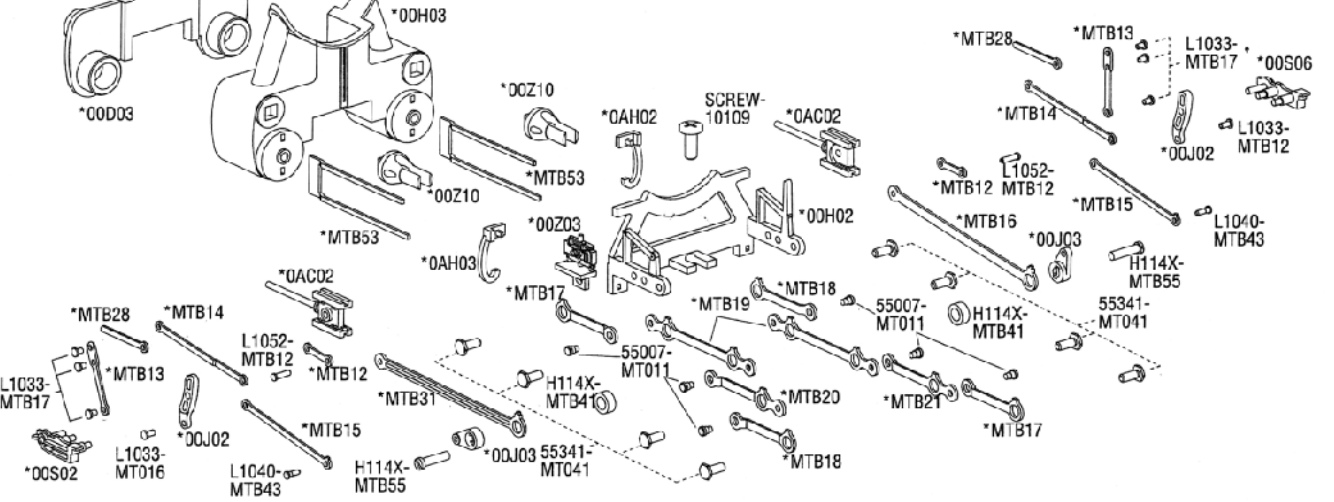
H81709 : 81701/3/4  
H81710 : 81702  
H81711 : 81705



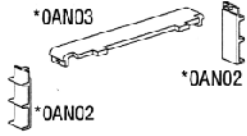
81701  
81702  
81703  
81704



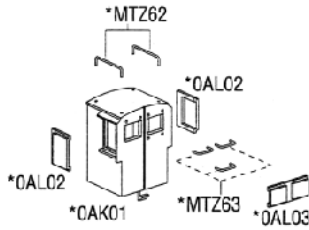
81705



81701  
81703



81705



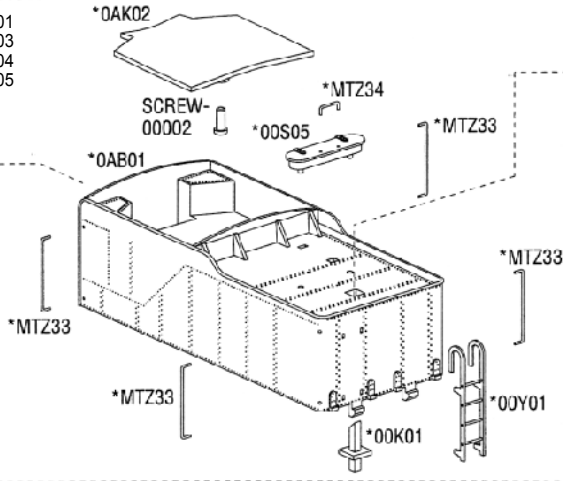
\*OAN04 81701  
81703  
81704

\*OAN09 81705  
\*00K02

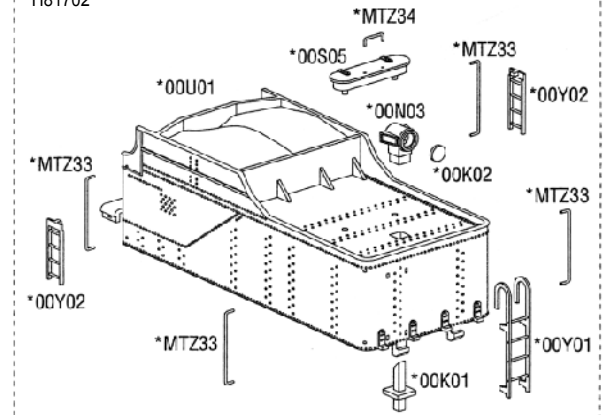
81704  
81705



81701  
81703  
81704  
81705



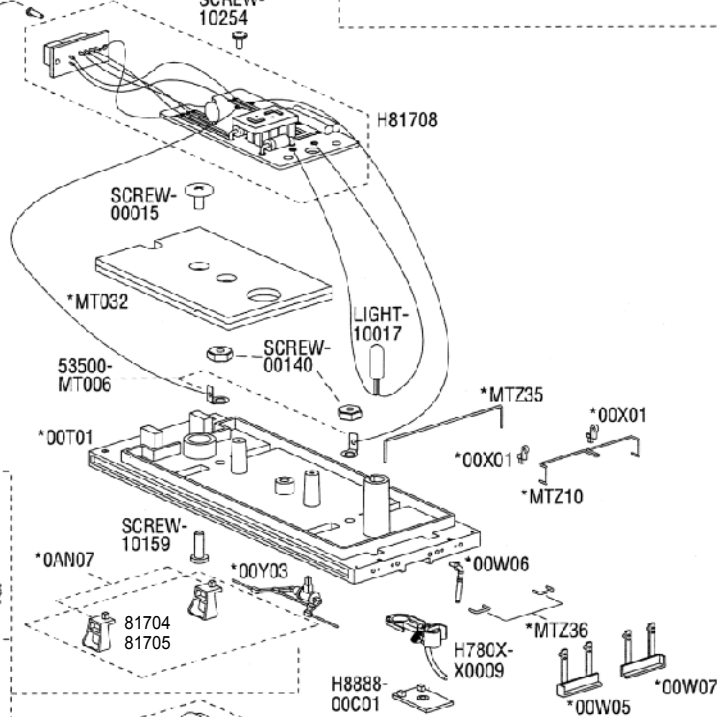
H81702



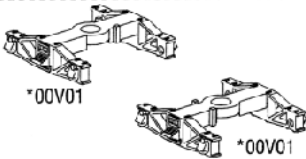
SCREW-10192

SCREW-10254

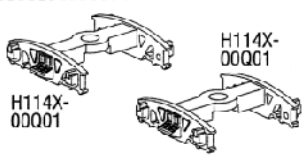
H81708



81704  
81705



81701  
81702  
81703



H114X-MT032

H114X-MT054

SCREW-10310

H114X-MT054

H114X-MT032

SCREW-10310

H81707