

INSTALLATION OF SOUND MODULE

1. Gently remove the coal load by pulling up on the water hatch.
2. Directly install the sound module (NOT INCLUDED) on the decoder board per diagram A.

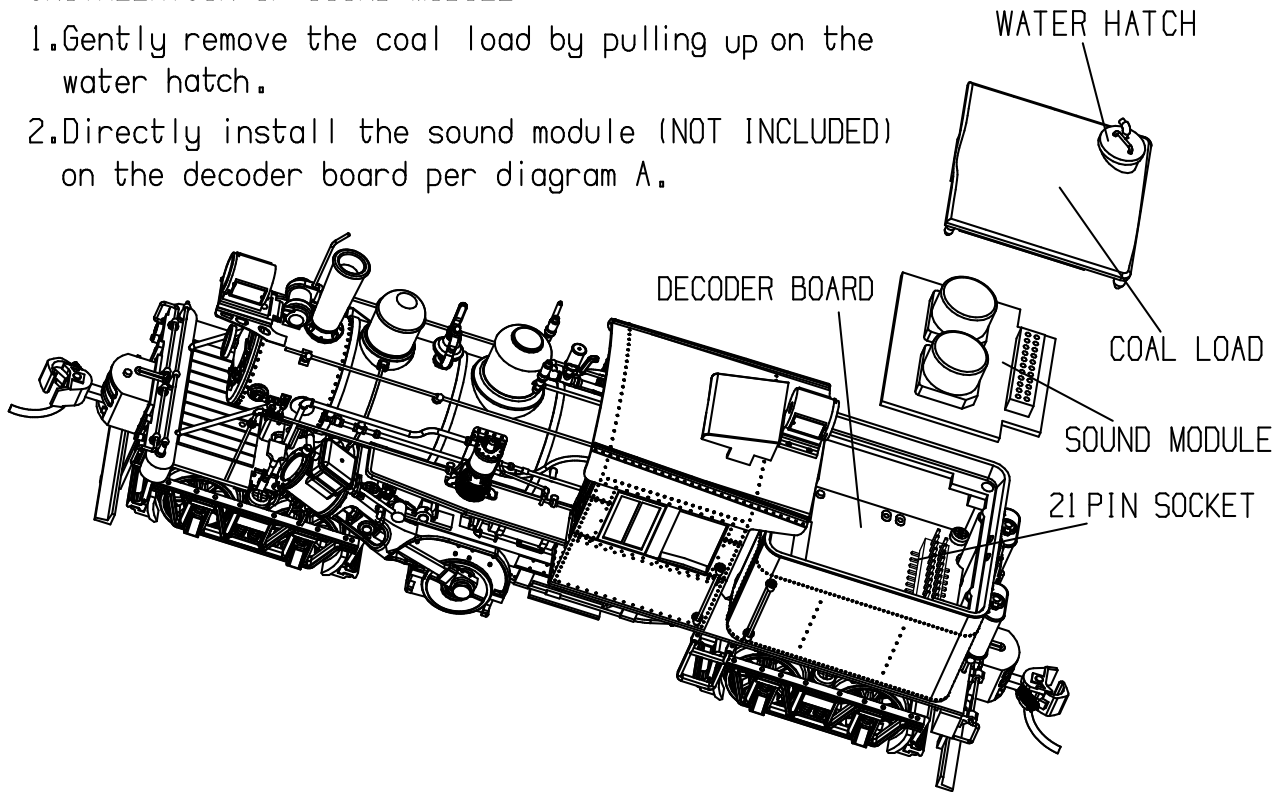


Diagram A

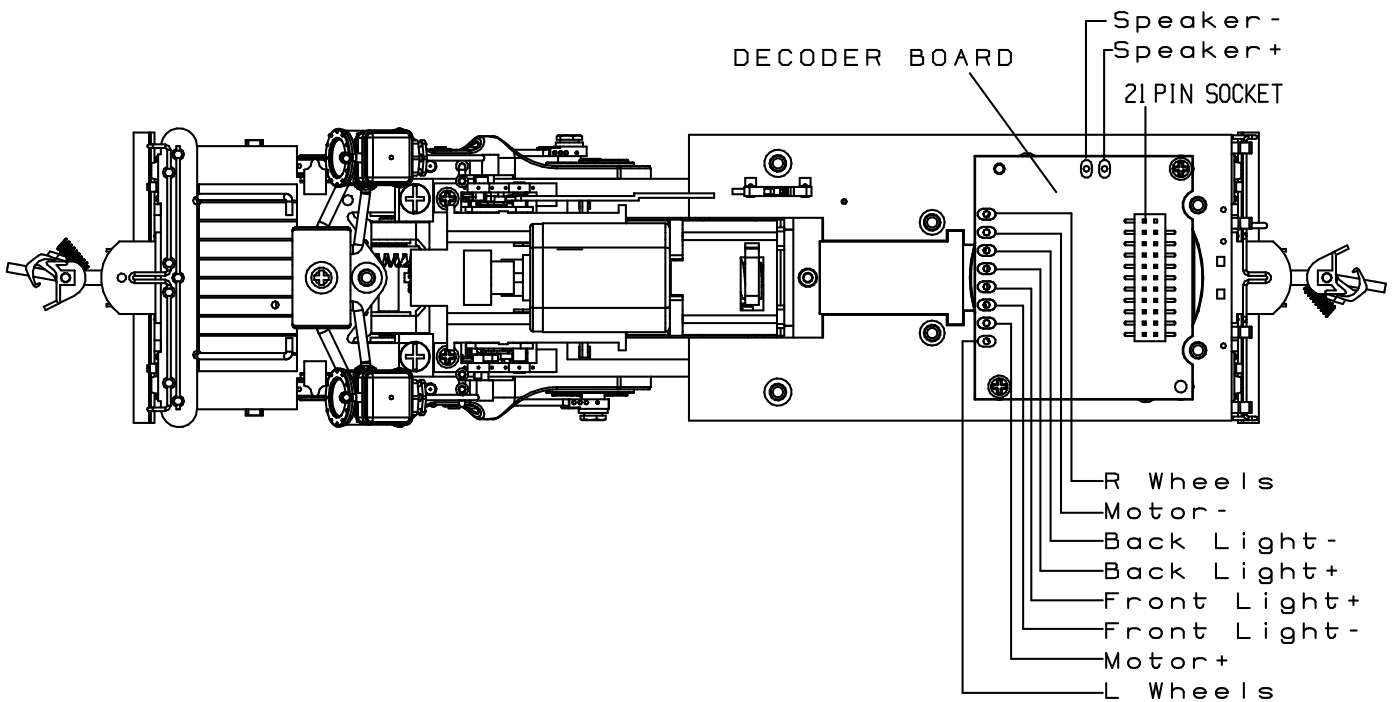


Diagram B