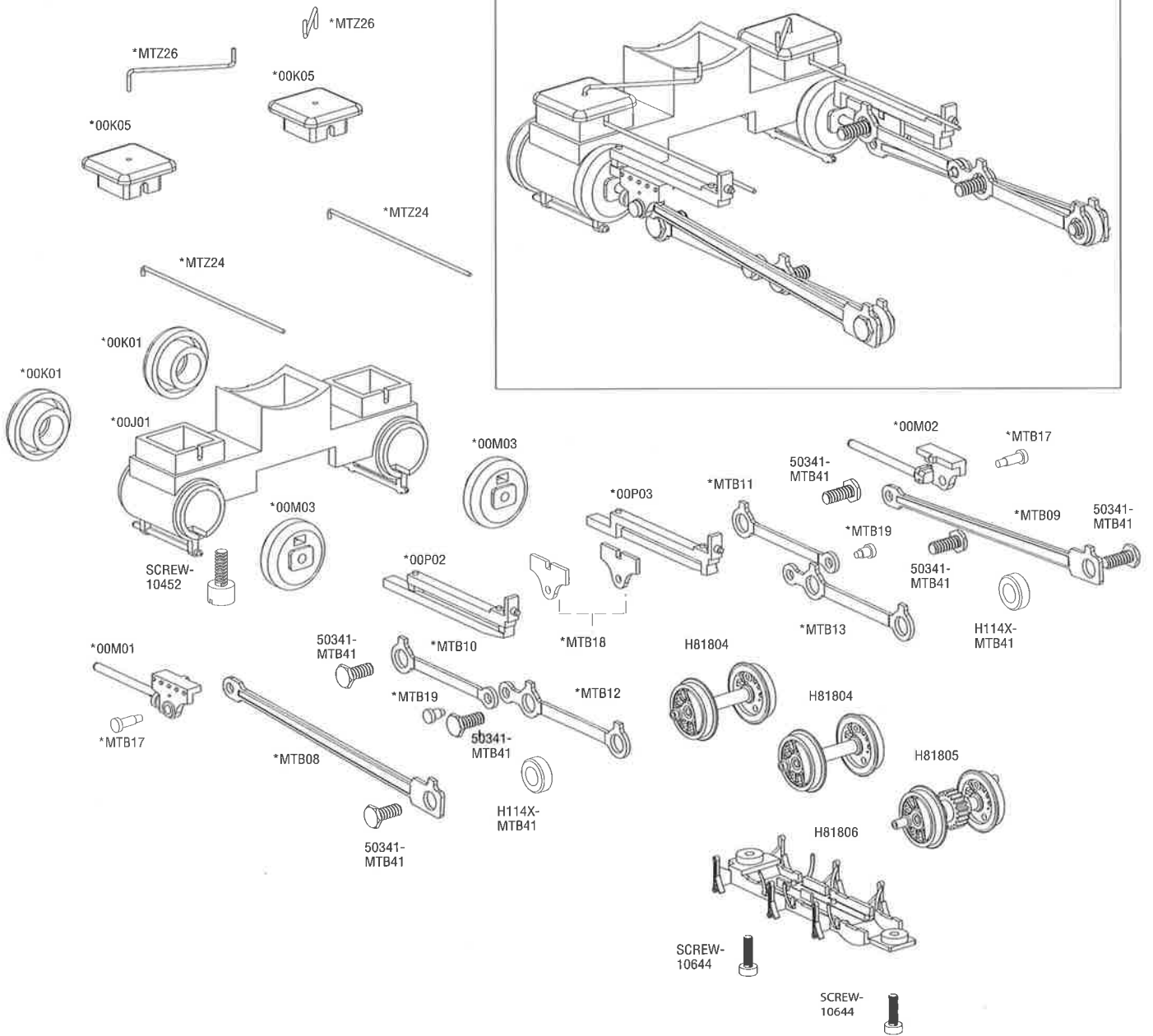
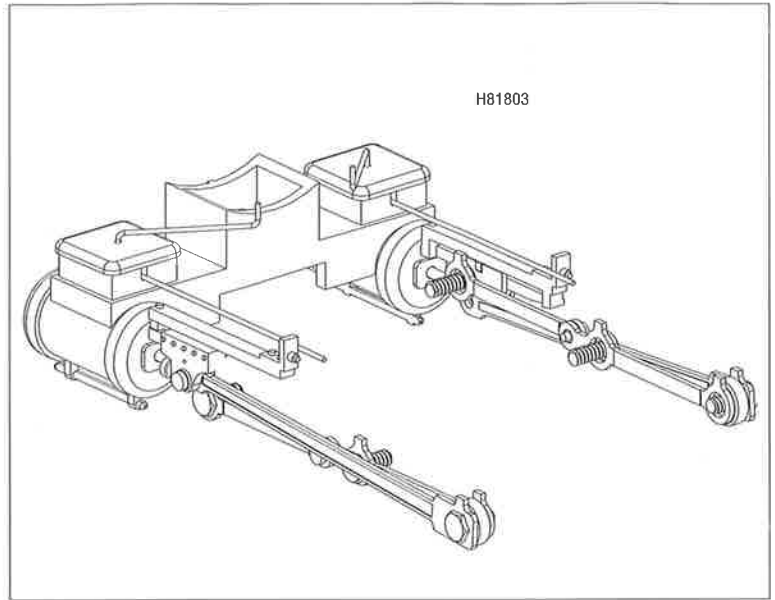
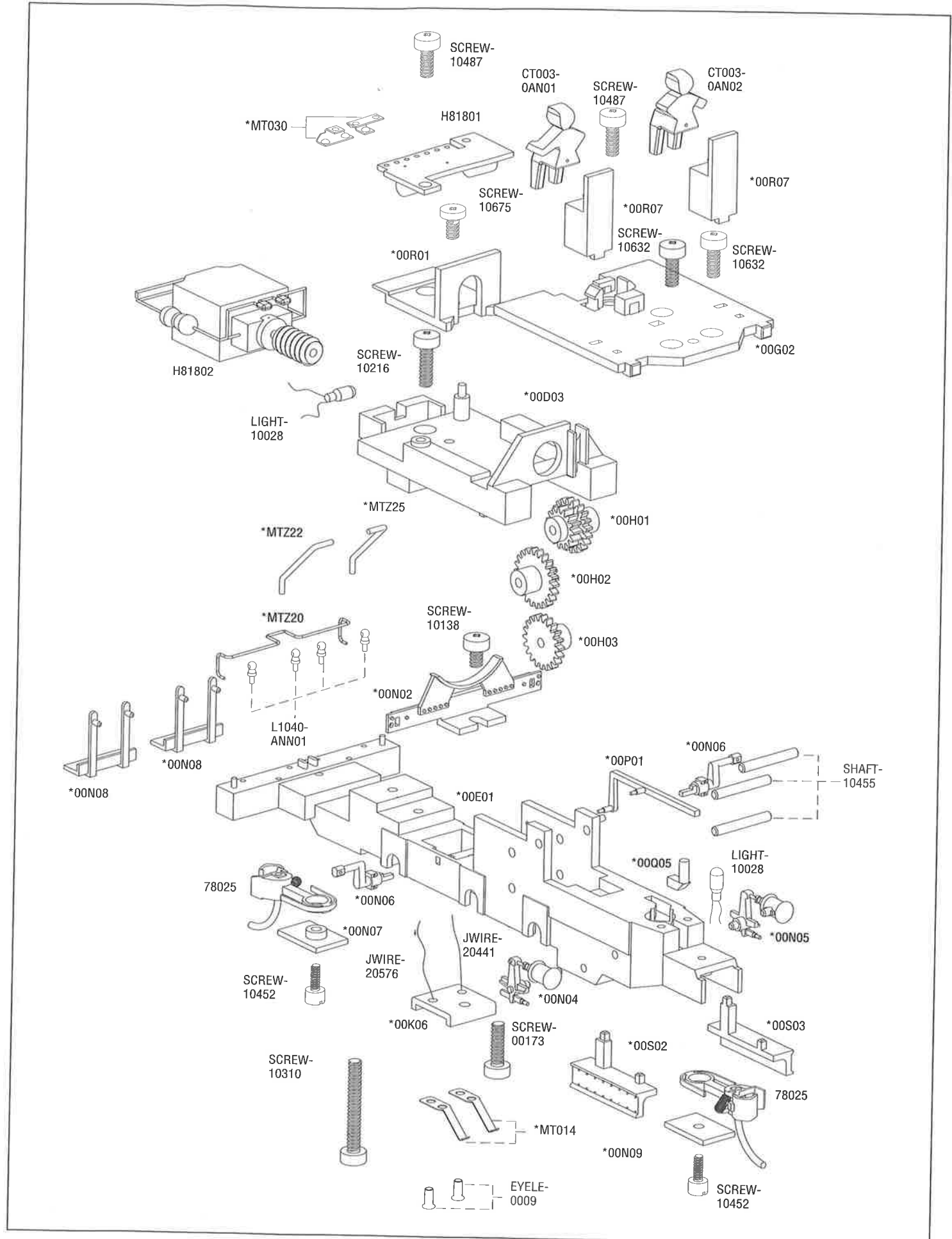
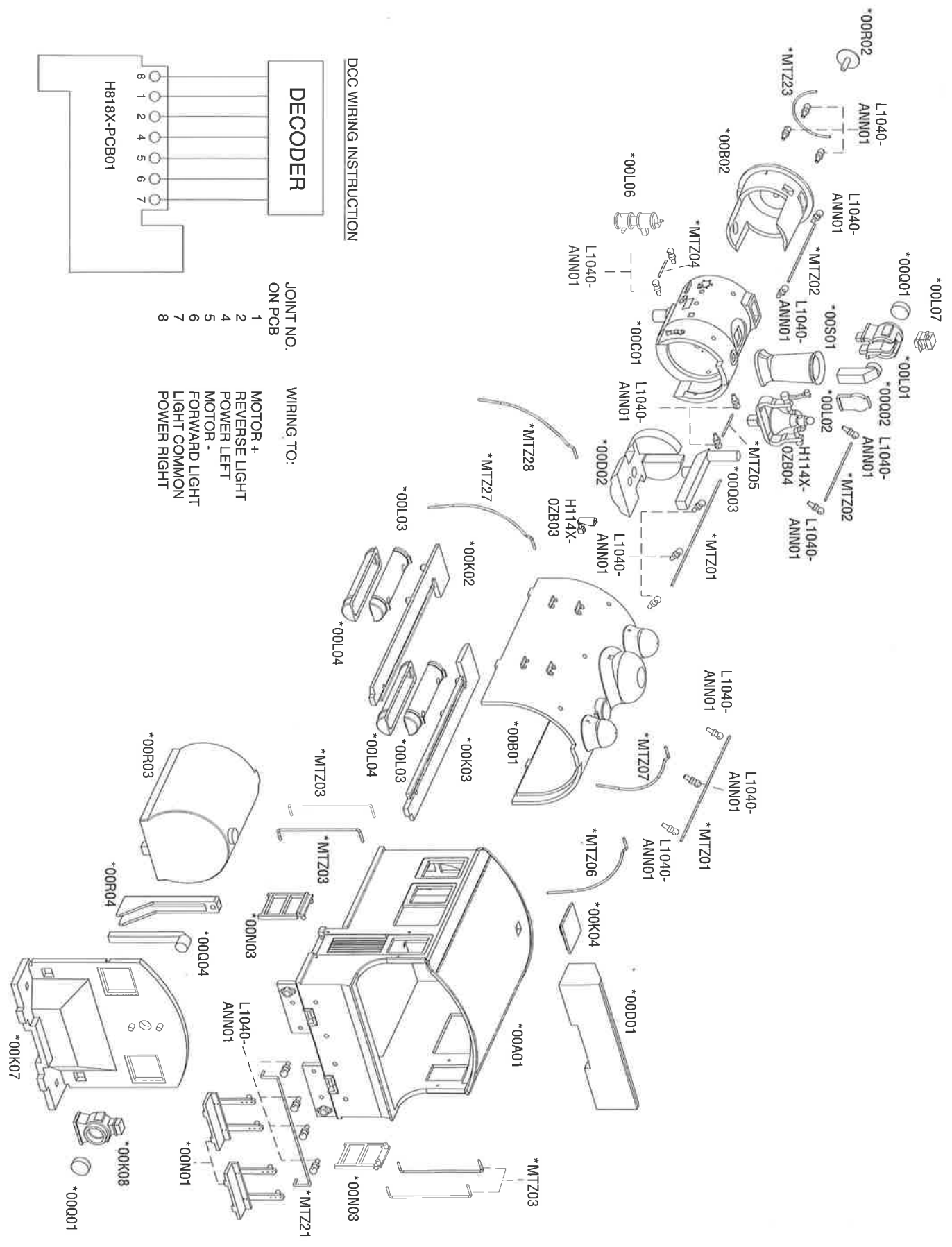


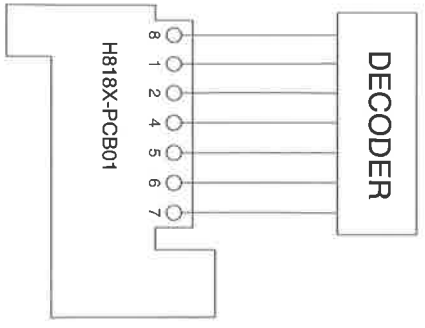
H81803







DCC WIRING INSTRUCTION



- | | | |
|--|---|---|
| <p>DECODER</p> <p>1
2
3
4
5
6
7
8</p> | <p>JOINT NO. ON PCB</p> <p>1
2
3
4
5
6
7
8</p> | <p>WIRING TO:</p> <p>MOTOR +
REVERSE LIGHT
POWER LEFT
MOTOR -
FORWARD LIGHT
LIGHT COMMON
POWER RIGHT</p> |
|--|---|---|