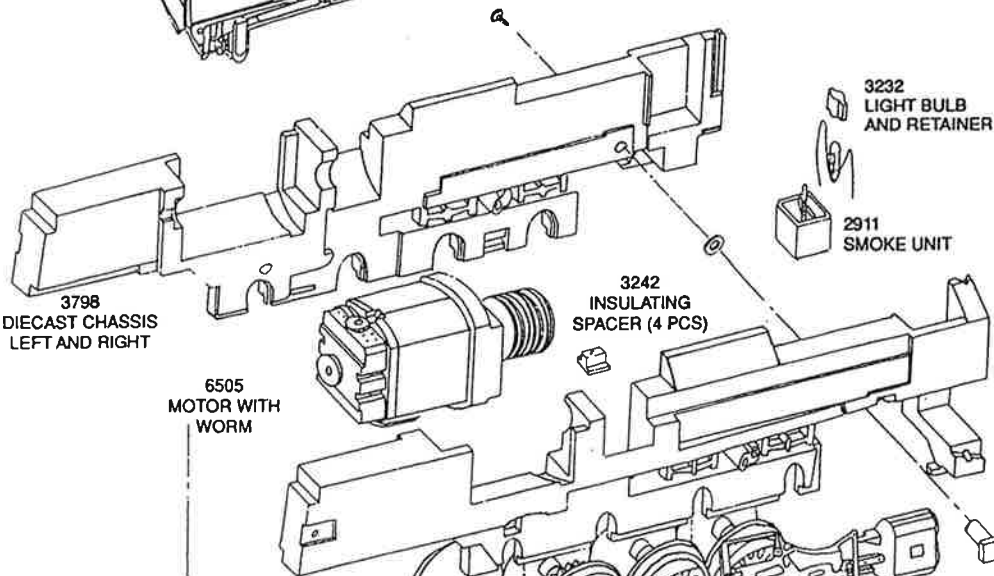


2332  
LOCO SHELL



3798  
DIECAST CHASSIS  
LEFT AND RIGHT

6505  
MOTOR WITH  
WORM

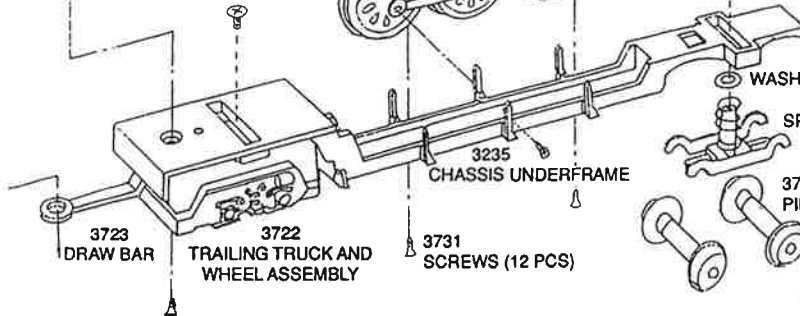
3242  
INSULATING  
SPACER (4 PCS)

3232  
LIGHT BULB  
AND RETAINER

2911  
SMOKE UNIT

3730  
DRIVE WHEEL ASSEMBLY

3725  
VALVE GEAR ASSEMBLY, RIGHT



3723  
DRAW BAR

3722  
TRAILING TRUCK AND  
WHEEL ASSEMBLY

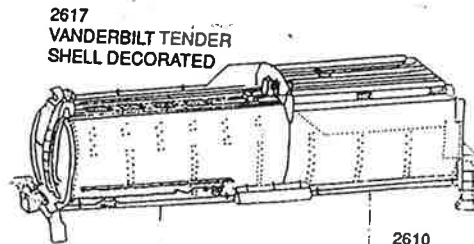
3235  
CHASSIS UNDERFRAME

3731  
SCREWS (12 PCS)

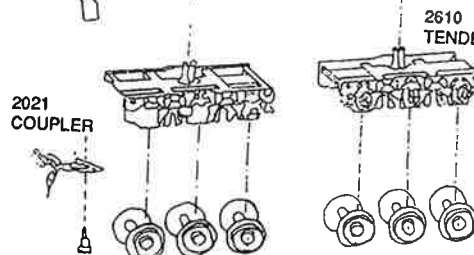
WASHER

SPRING

3721  
PILOT TRUCK AND  
WHEEL ASSEMBLY



2617  
VANDERBILT TENDER  
SHELL DECORATED



2021  
COUPLER

2610  
TENDER TRUCKS

2611  
TENDER WHEELS



**BACHMANN**

1400 E. ERIE AVENUE  
PHILADELPHIA, PA. 19124 U.S.A.

Printed in Hong Kong  
P/M33501-15001