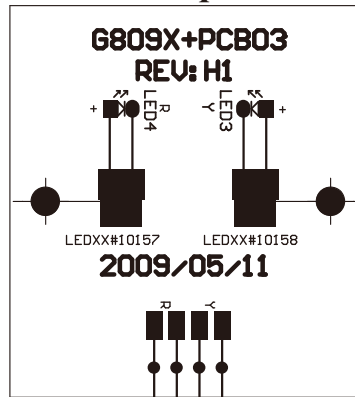


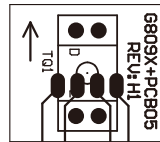
# Connection Diagram

1:20.3 Large Scale  
2-4-4 Forney

## Ash pan



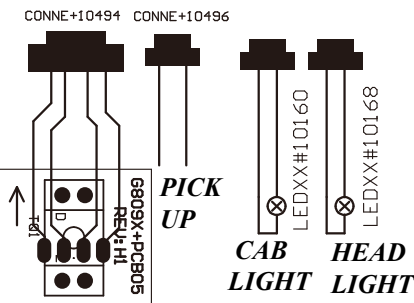
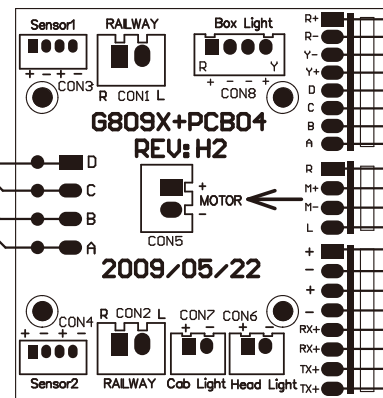
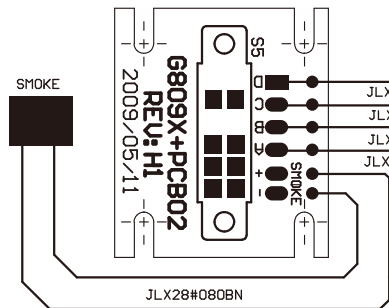
**OPTICAL  
SENSOR  
IN CYLINDER**



**PICK  
UP**

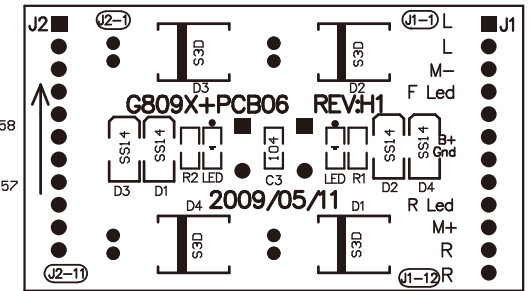


## SMOKE GENERATOR

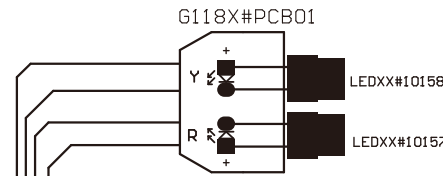


**OPTICAL  
SENSOR IN CYLINDER**

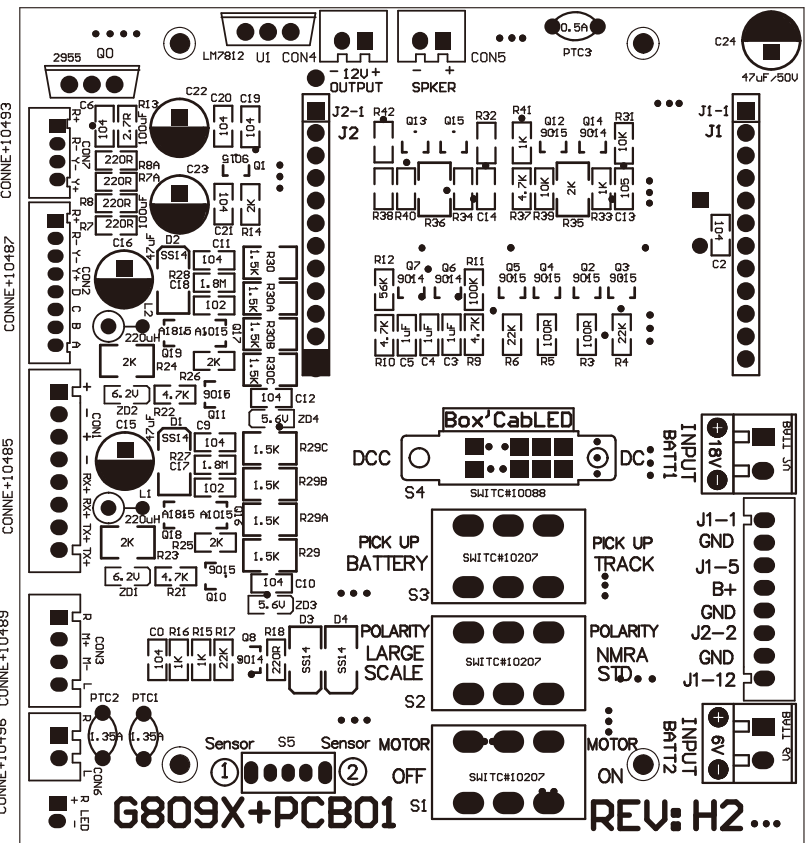
## DC DUMMY BOARD



## FIRE BOX FLICKER



## SPEAKER



**MAIN BOARD IN COAL BUNKER**

**BATTERY  
INPUT**