

INSTALLATION OF SOUND MODULE

1. Gentle remove the air tanks which underneath the chassis left/right side.
2. Unscrew the screws by a philips screw driver.
3. Gentle remove the whole bodyshell from loco chassis.
4. Directly install the sound module (NOT INCLUDED) on the decoder board per diagram A and B .

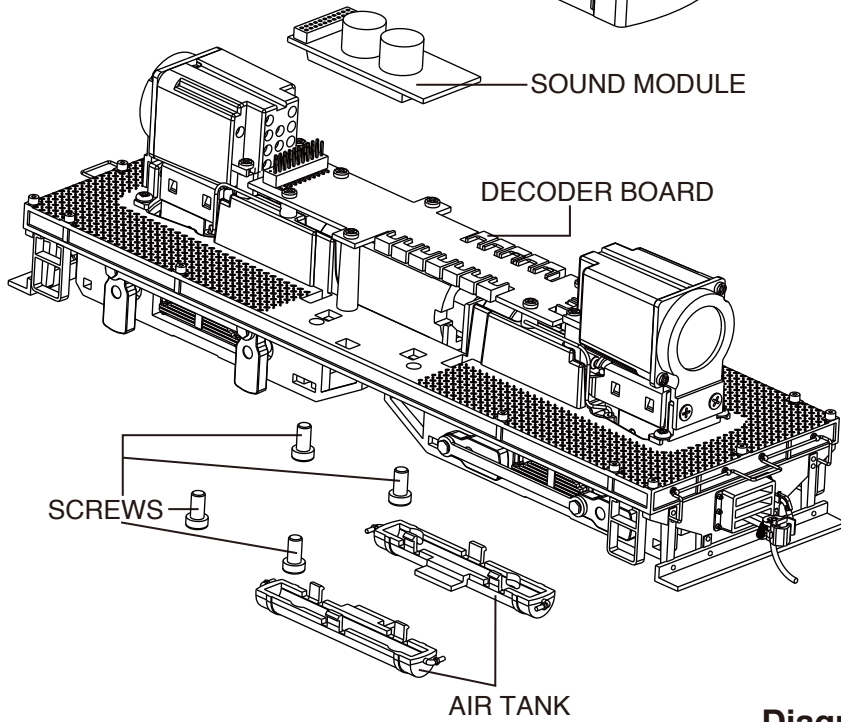


Diagram A

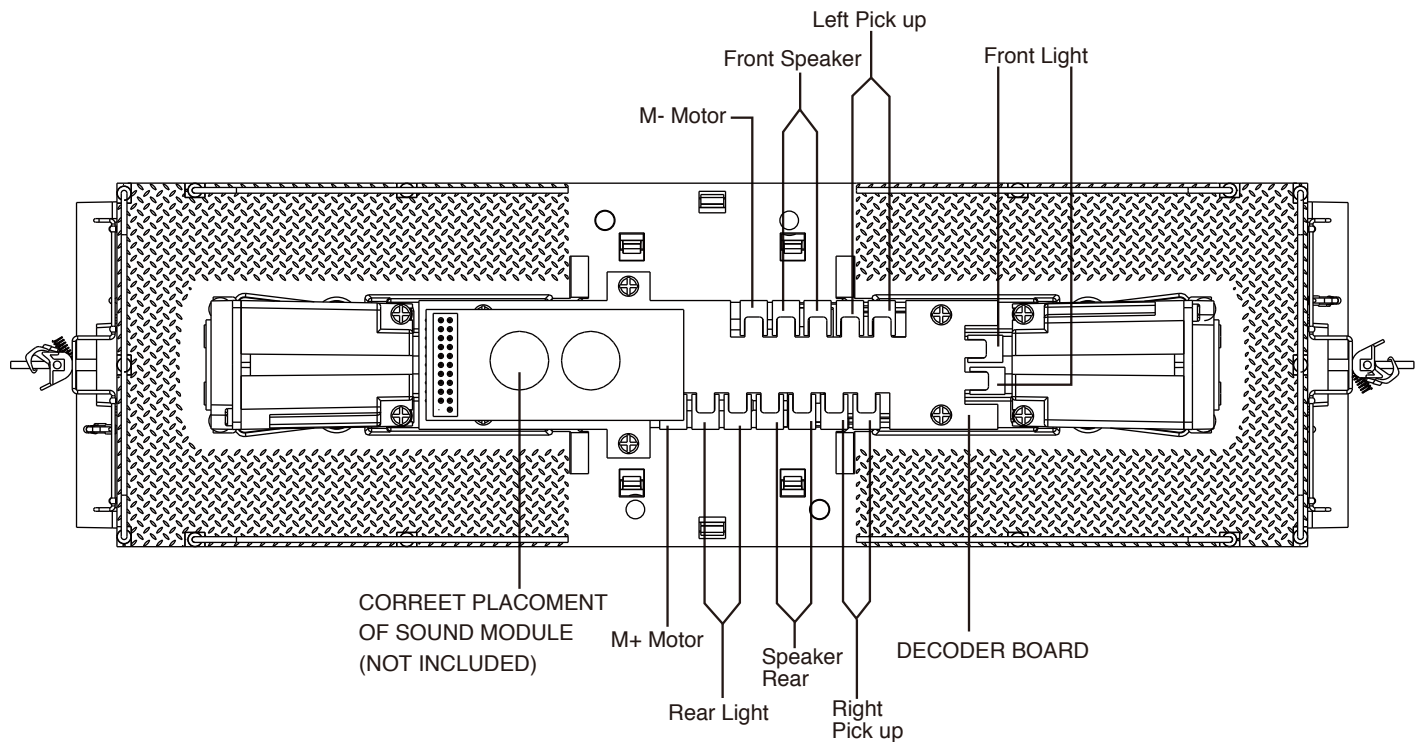


Diagram B