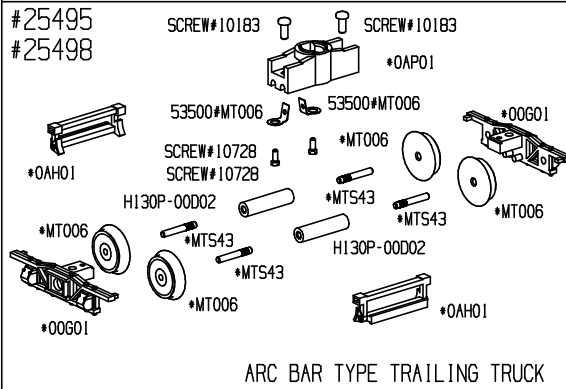
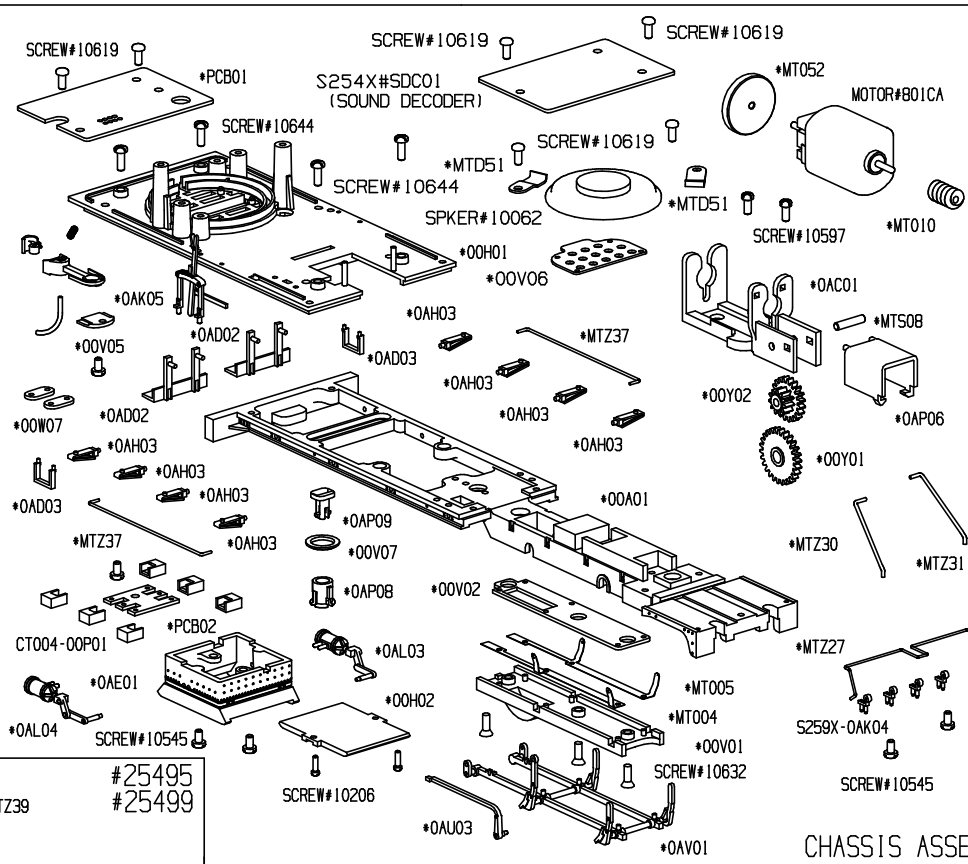


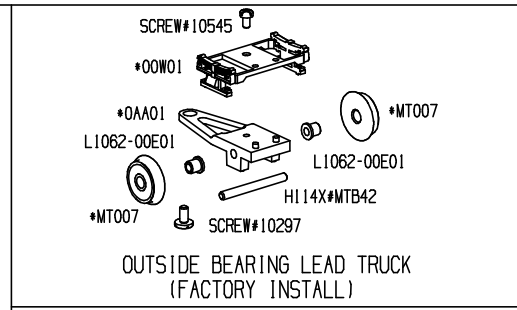
FORNEY TRAILING TRUCK



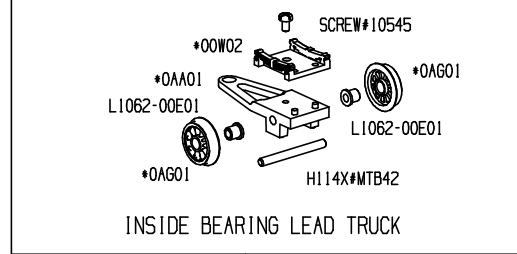
ARC BAR TYPE TRAILING TRUCK



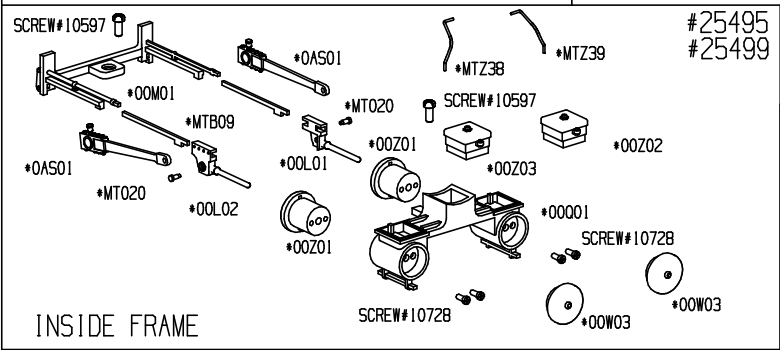
CHASSIS ASSEMBLY



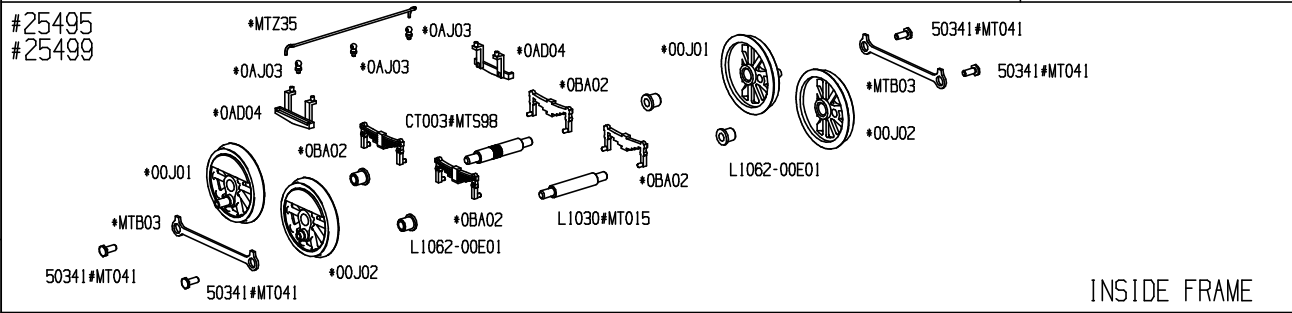
OUTSIDE BEARING LEAD TRUCK (FACTORY INSTALL)



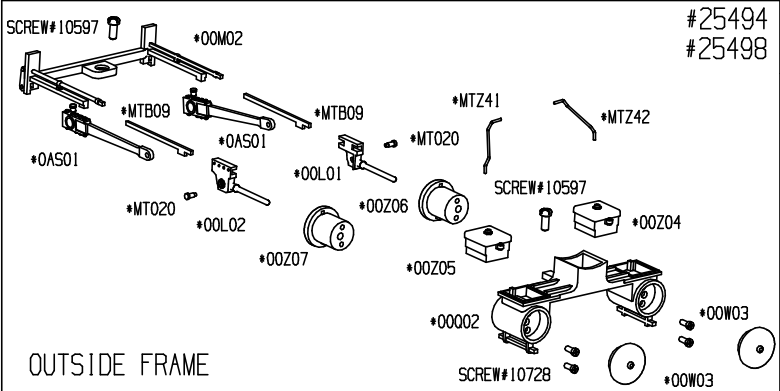
INSIDE BEARING LEAD TRUCK



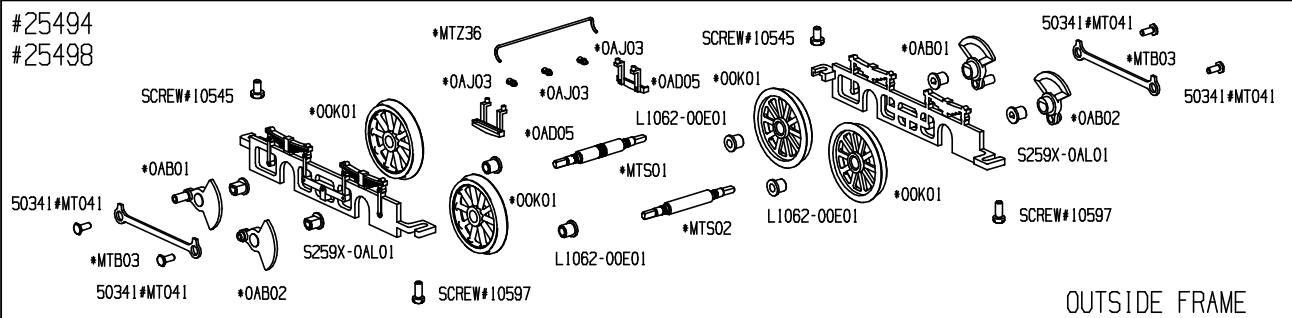
INSIDE FRAME



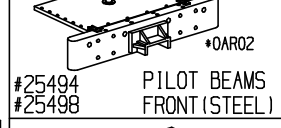
INSIDE FRAME



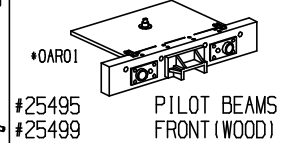
OUTSIDE FRAME



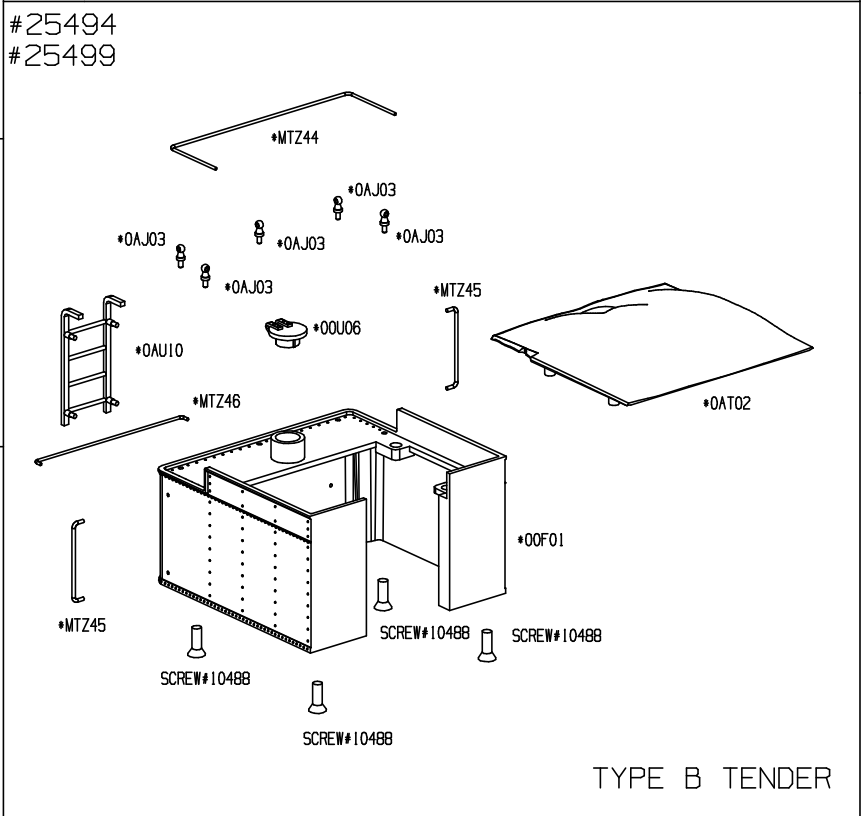
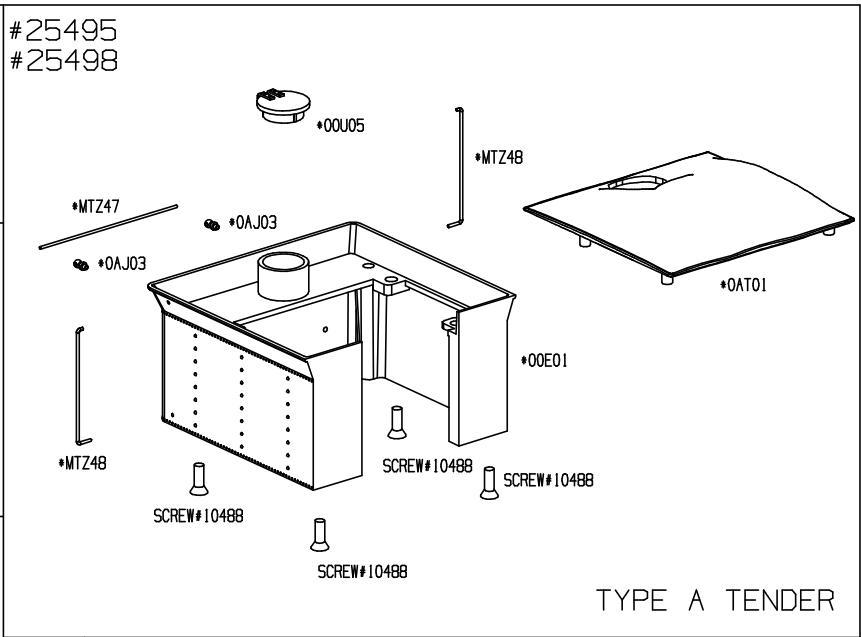
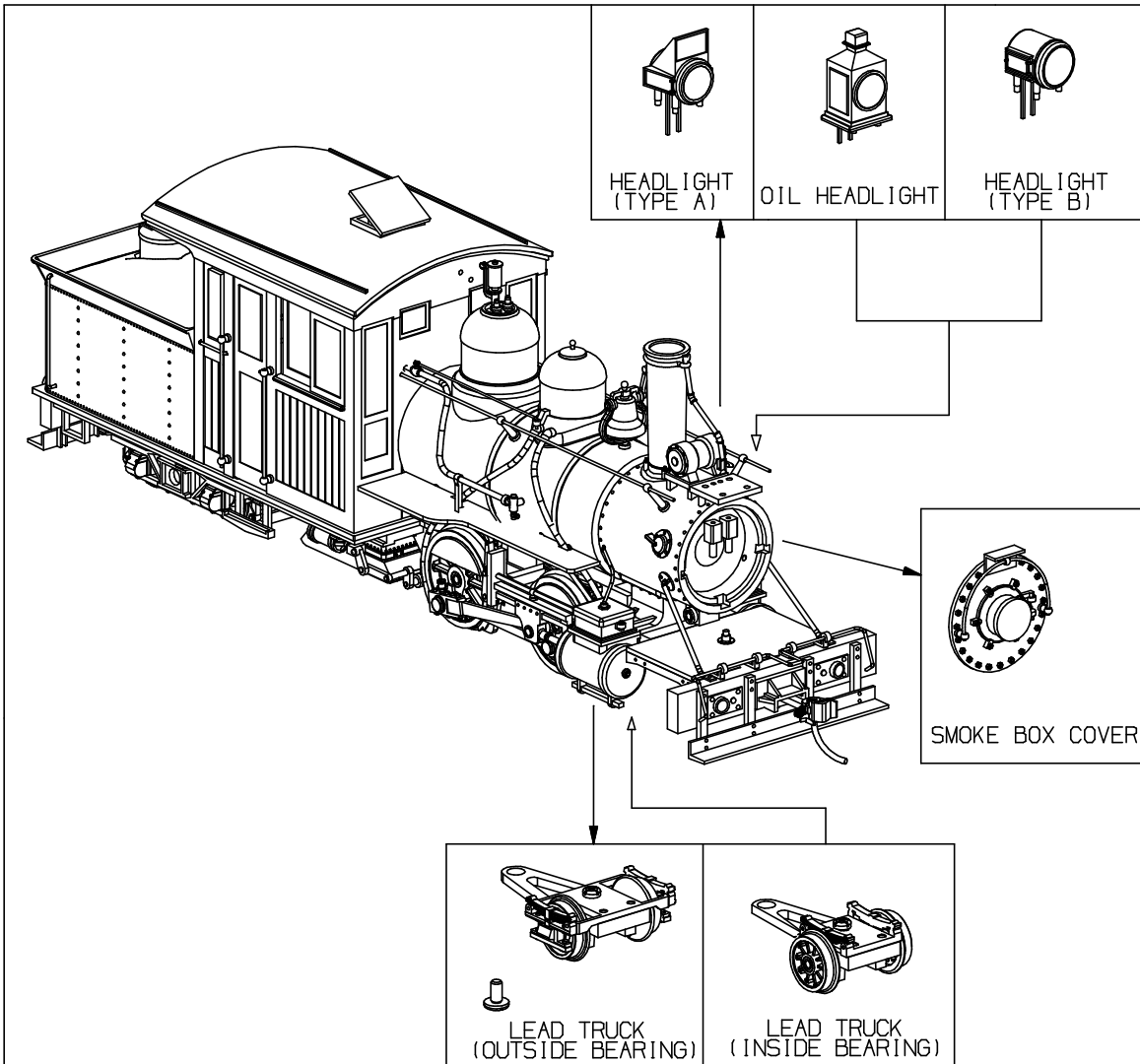
OUTSIDE FRAME



#25494 #25498 PILOT BEAMS FRONT (STEEL)



#25495 #25499 PILOT BEAMS FRONT (WOOD)



For dummy plug installation:
a) Remove the decoder,
b) Install the dummy plugs by tool (see following diagram).
CORRECT PLACEMENT OF DUMMY PLUG

DUMMY PLUG DUMMY PLUG

8 5
1 4

Main PC Board

INSTALLATION OF HEADLIGHT:
FOR PAINTED UNLETTERED VERSION #25498.99,
CUSTOMER CAN INTERCHANGE THE HEADLIGHT AS FOLLOWING,
-REMOVE THE SMOKE BOX COVER, DISCONNECT THE LED PLUGS (POSITIVE/NEGATIVE).
-REMOVE THE HEADLIGHT AND INSTALL OTHER HEADLIGHT.
-CONNECT LED PLUGS (POSITIVE/NEGATIVE).
-INSTALL THE SMOKE BOX COVER ON BOILER.