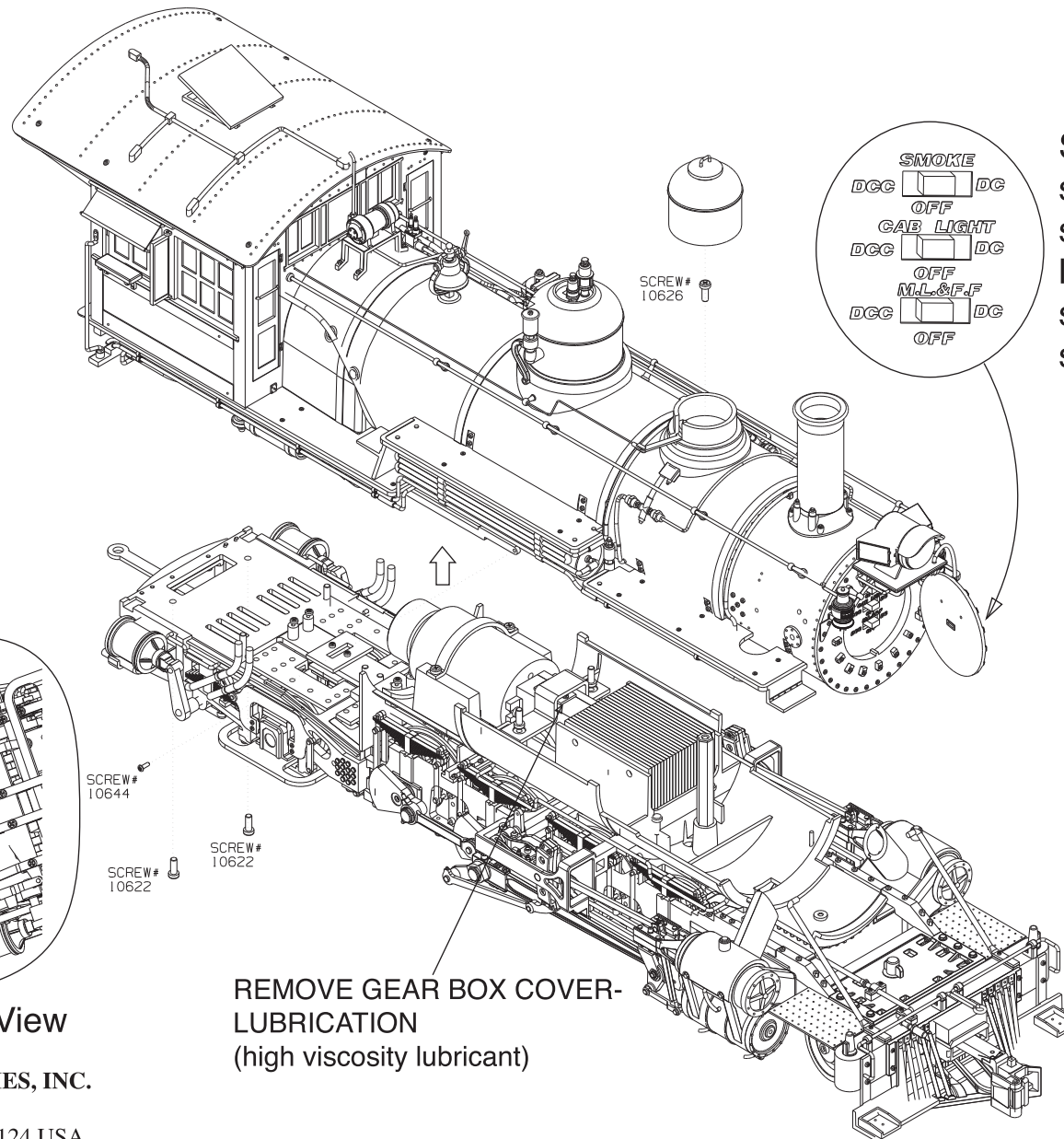
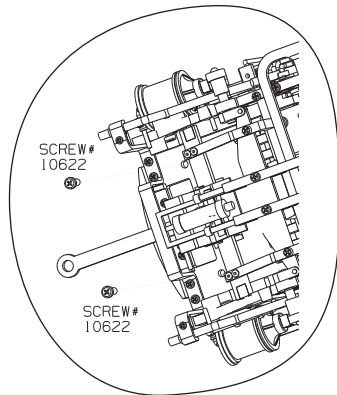


How to separate the boiler from the chassis ?

Only unfasten
4 screws.....



Smoke generator
switch, cab light
switch, marker
light & firebox flicker
switch in the
smoke box door



Bottom View

REMOVE GEAR BOX COVER-
LUBRICATION
(high viscosity lubricant)



BACHMANN INDUSTRIES, INC.
1400 East Erie Avenue
Philadelphia, Pennsylvania 19124 USA
800-356-3910
www.bachmanntrains.com
Printed in China